

# LIMITED WARRANTY

COMPANY NAME: \_\_\_\_\_

COMPANY ADDRESS: \_\_\_\_\_

CITY: \_\_\_\_\_ STATE: \_\_\_\_\_ ZIP: \_\_\_\_\_

MODEL: \_\_\_\_\_

SERIAL NUMBER: \_\_\_\_\_

DATE PURCHASED: \_\_\_\_\_

DEALER NAME: \_\_\_\_\_

DATE WARRANTY CARD RETURNED: \_\_\_\_\_

VIA: \_\_\_\_\_ WEBSITE \_\_\_\_\_ MAIL

***FORCE UNLIMITED LLC***



# FORCE UNLIMITED LLC LIMITED WARRANTY

FORCE Unlimited LLC has manufactured or is distributing the Product or Parts to which this warranty is attached. It warrants that the Product or Parts will, under normal conditions of use and service, be free from material defects due to faulty manufacturing for a period of twelve (12) months from the date of delivery to the original user. If any Product or Part does not conform to this warranty, your Dealer will, at its option, repair or replace parts provided, and you will pay all labor costs and costs for materials other than warranty parts. If Product or Part is defective in materials or workmanship, you must promptly notify your Dealer and return to FORCE Unlimited or fax to 319-283-3086 the warranty registration card within 30 days from the date of delivery to original user. The installation of any Part that did not originate from FORCE Unlimited will void this limited warranty in its entirety. In the event of repair or replacement, the warranty period shall not be extended beyond the original warranty period.

**If you fail to return the warranty registration card (in parts manual) to FORCE Unlimited within thirty (30) days after the date of delivery, this warranty shall not apply and your remedy for any defects in the Product will be your responsibility.**

**The above warranty does not cover:**

- a. Product that is damaged by abuse, neglect, accident, or modification
- b. Fluids, towing, telephone, travel, loss of vehicle, inconvenience
- c. The product itself if parts are installed on the equipment that did not originate from FORCE Unlimited

**The above warranty does not apply under the following conditions:**

- a. When Product has been improperly used or installed, modified, or fails because of defects or inefficiency of components not furnished with the Product
- b. When Product is used for purposes for which it was not originally designed or intended, or is used under abnormal operating conditions
- c. When the Dealer or end-user fails to follow FORCE Unlimited instructions regarding the Product

**This warranty is extended only to the original user and is not transferable. In the event of a warranty claim, you should promptly notify your Dealer and provide the following:**

- a. Model & serial number of the Product
- b. Date of delivery to the original user
- c. Part number of the defective Part
- d. Description of the claim encountered

**FORCE Unlimited LLC will bear no other expense including labor and material costs, other than those specified above. Unless modified in writing and signed by both parties, this Limited Warranty is understood to be the complete and exclusive agreement between the parties. No third party has authority to change or modify this warranty in any aspect.**

## LIMITED WARRANTY

### 2 YRS

SHELL STRUCTURE, SPINNER FRAME (including inferior welds & cracking)  
CONVEYOR GEARBOX (including gears, bearings & seals)

### 1 YR

SPINNER MOTORS & ADAPTERS (including bearings & seals)  
CONVEYOR MOTORS (including bearings & seals)  
VALVE MOTORS & CARTRIDGES  
CONVEYOR CHAIN – BELT & FASTENERS  
CONVEYOR SPROCKETS & BEARINGS  
FAN & CONVEYOR RATE SENSORS

### WEAR ITEMS

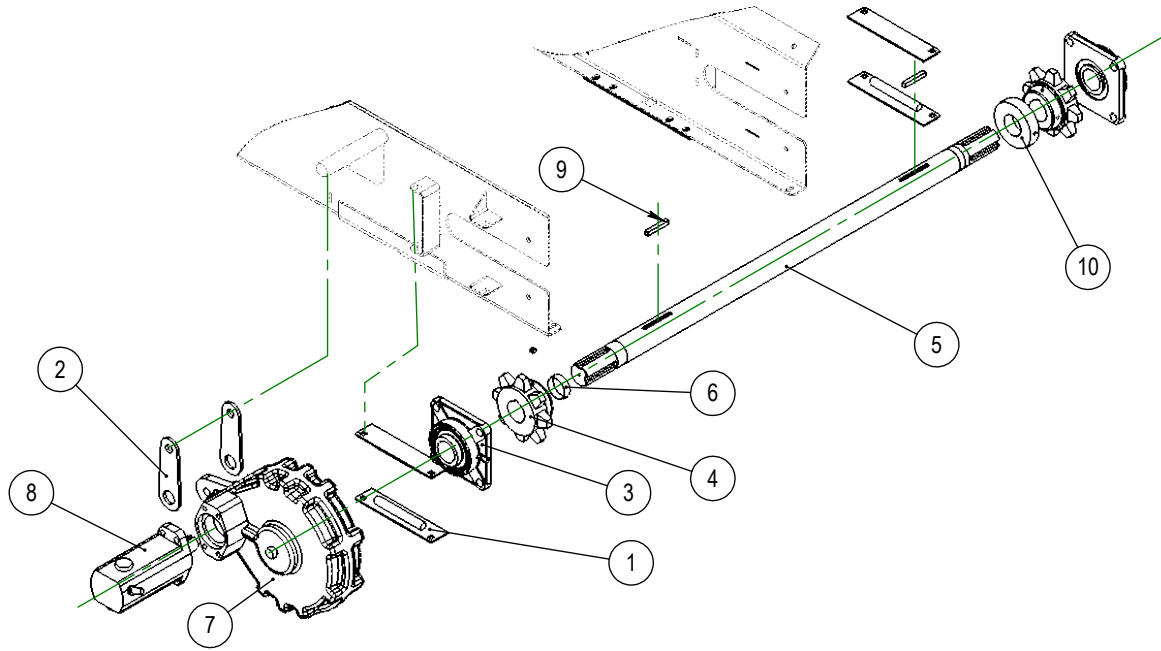
SPINNER FINS  
SPINNER DISCS

**MANUFACTURER HAS THE RIGHT TO REPLACE DEFECTIVE OR DAMAGED PARTS  
WITH NEW OR REBUILT AT ITS OWN DISCRETION**

**PARTS DAMAGED FROM ABUSE OR IMPROPER MAINTENANCE NOT COVERED**

**FORCE UNLTD.** SPREADERS\*GPS EQUIPMENT\*CONVEYORS

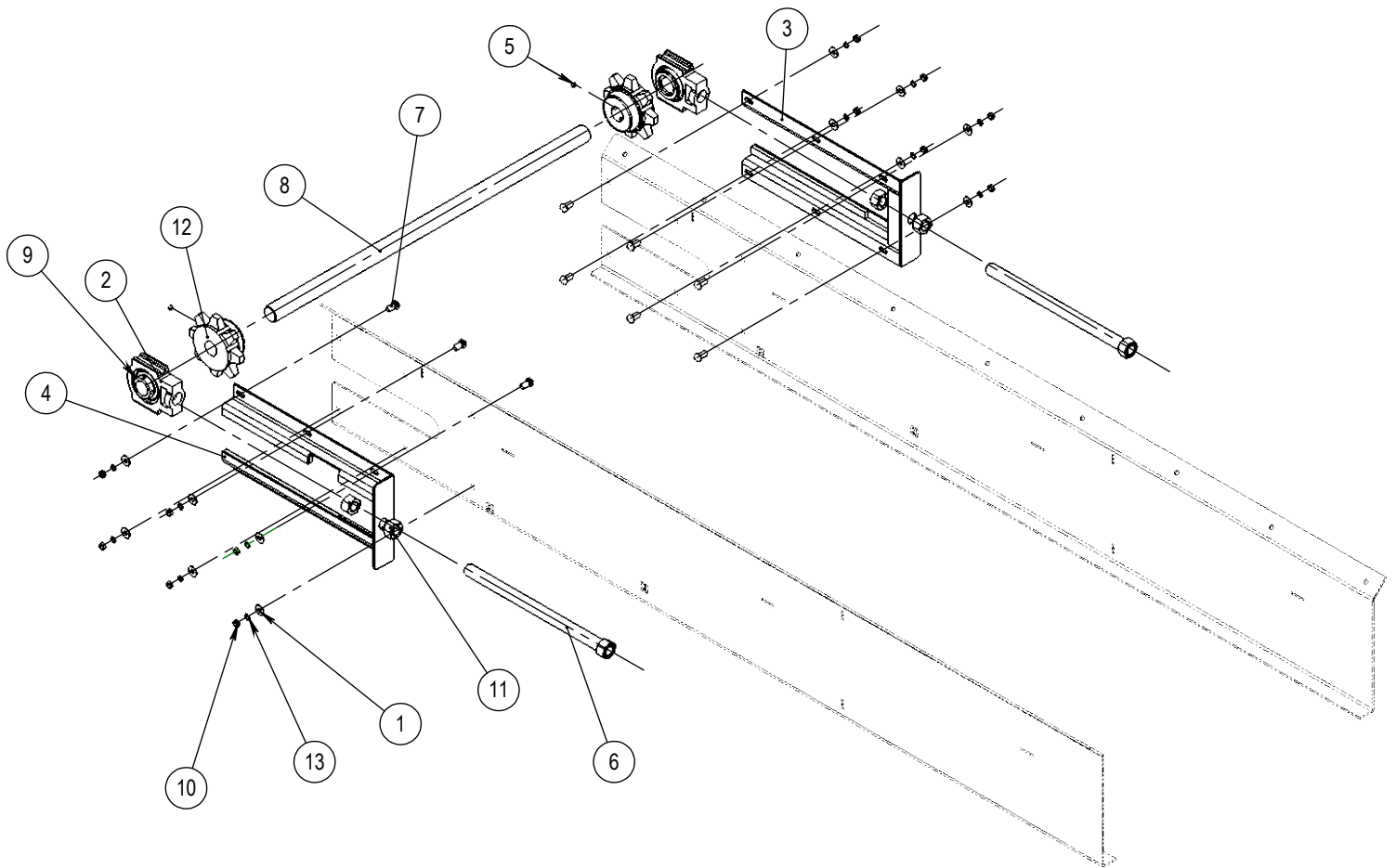
| <b><u>ITEM</u></b>                                 | <b><u>PAGE NO.</u></b> |
|--|------------------------|
| Conveyor Drive                                     | 1                      |
| Conveyor Idler                                     | 2                      |
| Spinner Assembly w/Deflectors                      | 3                      |
| Jack Shaft Assembly                                | 5                      |
| Spinner Guards & Material Flow Divider             | 6                      |
| Spinner/Conveyor Drive Hydraulics                  | 8                      |
| Front Trailer Hydraulics                           | 8.1                    |
| Main Valve Block Assembly                          | 10                     |
| Inverted "V" & Cross Brace Assembly                | 14                     |
| Sensor Wiring Harness                              | 15                     |
| John Deere AN304173 Electrical Harness Adapter Kit | 15.1                   |
| Decals   | 16                     |
| Gear Box   | 17                     |
| Belt Over Pintle Chain                             | 18                     |
| Feedgate Assembly                                  | 19                     |
| Swinging Endgate & Feedgate Assembly               | 19.1                   |
| Swinging Endgate Catch/Release Assembly            | 19.2                   |
| Hillside Flow Divider                              | 20                     |
| Hydraulic Pipes                                    | 21                     |
| Chain Shields                                      | 22                     |
| Light Options                                      | 23                     |
| Front Belt Sealer                                  | 24                     |
| #2 Straight Chain                                  | 26                     |
| Hydraulic Swinging Endgate                         | 30                     |
| Trailer Hydraulic Brakes                           | 31                     |
| Safety Decals                                      | 35                     |
| Trailer Decals                                     | 35.1                   |
| Optional 12" High SS Box Extensions                | 36                     |



## CONVEYOR DRIVE

| ITEM | PART NO.   | DESCRIPTION   | SINGLE DRIVE QTY | DOUBLE DRIVE QTY |
|------|--|---|------------------|------------------|
| 1    | 50-074<br>1200-302SS<br>1209-43<br>1205-27                                       | Weldment-SS Bearing Slide<br>(2) Carriage Bolts 3/8" UNC x 1" SS / Slide<br>(2) Lock Washer 3/8" SS / Slide<br>(2) Nut - 3/8" UNC SS / slide  | 4                | 4                |
| 2    | FL3024 IA<br>1200-604SS<br>1200-302SS  | Arm - Idler<br>(1) Hex Head Capscrew - 3/4" UNC x 3" SS / Arm<br>(1) Lock Nut - 3/4" SS / Arm   | 2                | 4                |
| 3    | 1217-102   | Bearing<br>(2) Set Screw - 3/8"-24 UNF x 3/8" / Bearing   | 2                | 2                |
| 4    | 1217-20  | Sprocket - Drive<br>(2) Set Screw - 3/8"-16 UNC x 3/8" / Sprocket   | 2                | 2                |
| 5    | FL3424 DS<br>FL3024 DS<br>FL3424 DS-2  | Shaft - Single Drive ProForce<br>Shaft - Single Drive AgForce<br>Shaft - Double Drive ProForce  | 1                | 1                |
| 6    | F 99198  | Seeve - SS  | 1                | 2                |
| 7    | 1220-50  | Gearbox<br>(2) Key - Sqr, 1/2" x 2-1/4" / Gearbox   | 1                | 2                |
| 8    | 1213-145<br>1213-18<br>1213-19<br>1220-145<br>1200-403<br>1209-62<br>1213-145 SK | Motor - Hydraulic w/Sensor<br>Motor - Hydraulic w/Sensor (Drivers side)<br>Motor - Hydraulic w/o Sensor (Passenger side)<br>(1) Key - Sqr, 5/16" x 1-1/4" / Motor<br>(4) Socket Head Capscrew - 1/2" x 1-1/2" / Motor<br>(4) Lock Washer - 1/2" / Motor<br>Seal Kit | 1                | 1                |
| 9    | 1220-525   | Key - Square, 3/8" x 2-1/2"   | 2                | 2                |
| 10   | 70-130   | Support Roller (1 Required Per Asphalt Unit Only)<br>(1) Set Screw - 3/8" - 16 UNC x 3/8" / Roller  |                  |                  |

## CONVEYOR IDLER



| <u>ITEM</u> | <u>PART NO.</u> | <u>DESCRIPTION</u>                    | <u>QTY</u> |
|-------------|-----------------|---------------------------------------|------------|
| 1           | 1209-40         | Flat Washer - 3/8"                    | 12         |
| 2           | 1217-103        | Bearing - Take Up                     | 2          |
| 3           | 50-011          | RH Take Up                            | 1          |
| 4           | 50-011-L        | LH Take Up                            | 1          |
| 5           |                 | Set Screw - 3/8" UNF x 3/8" Long      | 4          |
| 6           | 1225-02         | Weldment - Take Up Bolt               | 2          |
| 7           | 1200-302SS      | Carriage Bolt - 3/8" UNC x 1" SS      | 12         |
| 8           | 1220-515        | Shaft Idler ProForce                  | 1          |
|             | 1220-51         | Shaft Idler AgForce                   |            |
| 9           |                 | Set Screw - 5/16"-24 UNF x 5/16" Long | 4          |
| 10          | 1205-27         | Nut - 3/8" UNC SS                     | 12         |
| 11          | 1205-79         | Nut - 1" UNC                          | 4          |
| 12          | 1217-15         | Sprocket - Idler                      | 2          |
| 13          | 1209-43         | Lock Washer - 3/8" SS                 | 12         |

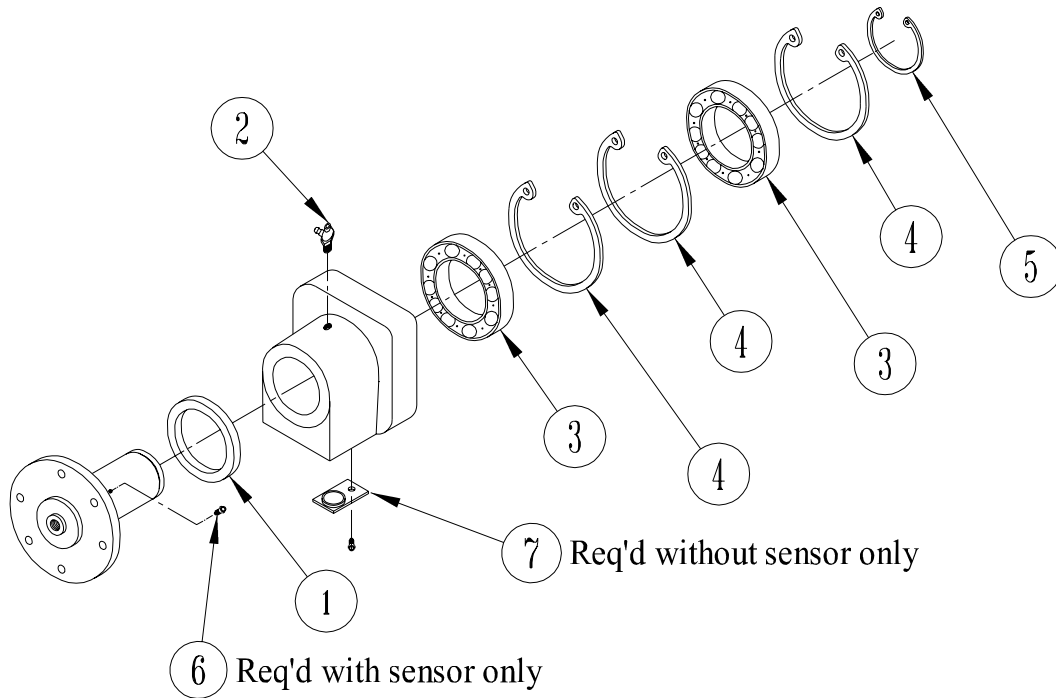


| ITEM | PART NO.    | DESCRIPTION   | 24" ASSY QTY. | 30" ASSY QTY. |
|------|-------------|---|---------------|---------------|
| 1    | 1234-301    | Weldment - 24" Spinner Assembly<br>Requires:<br>(4) Carriage Bolt - 1/2" UNC x 2" SS                        | 1             | -             |
|      | 1200-404    | (4) Flat Washer - 1/2" SS   |               |               |
|      | 1209-61     | (4) Lock Washer - 1/2" SS   |               |               |
|      | 1209-63     | (4) Lock Washer - 1/2" SS   |               |               |
|      | 1205-36     | (8) Nut - 1/2" UNC SS   |               |               |
| 1 A  | 1218-15     | Adapter - Mounting<br>Requires:<br>Same as 1234-301 (Above)   | 2             | -             |
| 1    | 1236-301    | Weldment - 30" Spinner Assembly<br>Requires:<br>Same as 1234-301 (Above)                                    | -             | 1             |
| 2    | 1234-108    | Weldment - SS Deflector (132" OA Fender Width)  | 1 RH, 1 LH    | 1 RH, 1 LH    |
| 2    | 1234-108MS  | Weldment - MS Deflector (132" OA Fender Width)<br>Requires:<br>(4) Hex Head Capscrew - 3/8" UNC x 1" SS     |               |               |
|      | 1200-3011   | (8) Flat Washer - 3/8" SS   |               |               |
|      | 1209-41     | (4) Lock Washer - 3/8" SS   |               |               |
|      | 1209-43     | (4) Lock Washer - 3/8" SS   |               |               |
|      | 1205-27     | (4) Nut - 3/8" UNC SS   |               |               |
|      |             | Per Deflector   |               |               |
| 2    | 1236-108    | Weldment - SS Deflector (96" OA Fender Width)   |               |               |
| 2    | 1236-108MS  | Weldment - MS Deflector (96" OA Fender Width)<br>Requires:<br>Same as 1234-108 (Above)                      |               |               |
| 3    | 1213-15     | Motor - Hydraulic (24" Disc)<br>Requires: (Per Motor)<br>(4) Socket Head Capscrew - 1/2" UNC x 1-1/2"       | 2             | -             |
|      | 1200-403    | (4) Lock Washer - 1/2"  |               |               |
|      | 1209-62     | (1) Key - Square, 5/16" x 1-1/2" Lg.  |               |               |
|      | 1213-155    | Replacement Parts:<br>Seal Kit  |               |               |
|      | 1213-156    | Shaft & Gear Set  |               |               |
| 3    | 1213-206    | Motor - Hydraulic (30" Disc)<br>Requires: (Per Motor)<br>(4) Socket Head Capscrew - 1/2" UNC x 1-1/2"       | -             | 2             |
|      | 1200-403    | (4) Lock Washer - 1/2"  |               |               |
|      | 1209-62     | (1) Key - Square, 5/16" x 1-1/2" Lg.  |               |               |
|      | 1213-155    | Replacement Parts:<br>Seal Kit  |               |               |
|      | 1213-145 SK |   |               |               |
| 4    | 1218-73     | Assembly - Jack Shaft with Sensor Mount (24" Disc)<br>Requires:<br>(1) Hex Head Capscrew - 1/2" UNC x 1" SS | 1             | -             |
|      | 1200-400SS  | (1) Washer - 1/2" SS  |               |               |
|      | 1209-61     | (4) Hex Head Capscrew - 1/2" UNC x 1-1/4" SS  |               |               |
|      | 1200-4011   | (4) Lock Washer - 1/2" SS   |               |               |
|      | 1209-63     |   |               |               |
| 4    | 1218-732M   | Assembly - Jack Shaft with Sensor Mount (30" Disc)<br>Requires:<br>Same as 1218-73 (Above)                  | -             | 1             |



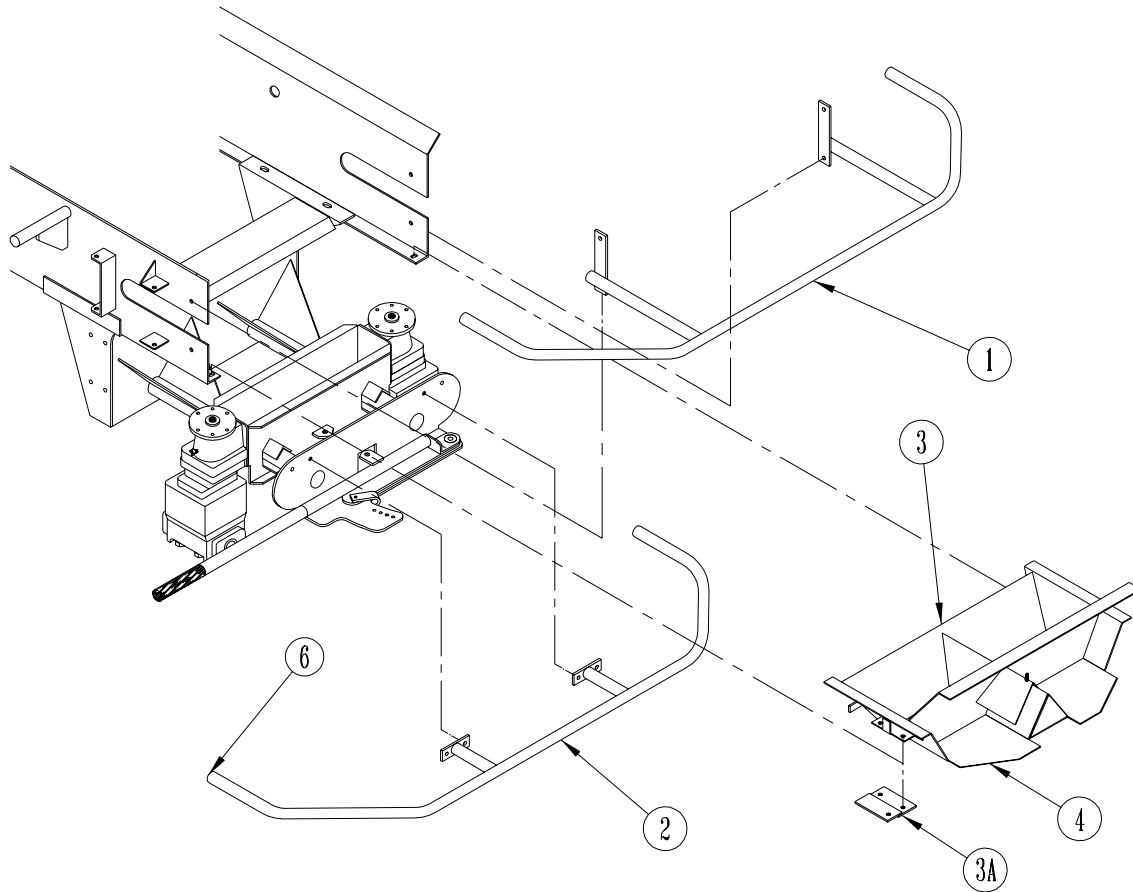
**FORCE UNLTD.** SPREADERS\*GPS EQUIPMENT\*CONVEYORS

| <b>ITEM</b> | <b>PART NO.</b> | <b>DESCRIPTION</b>  | <b>24" ASSY<br/>QTY</b>     | <b>30" ASSY<br/>QTY</b>     |
|-------------|-----------------|---|-----------------------------|-----------------------------|
| 5           | 1218-72         | Assembly - Jack Shaft without Sensor Mount (24" Disc)<br>Requires:<br>(1) Hex Head Capscrew - 1/2" UNC x 1" SS<br>(1) Washer - 1/2" SS                              | 1                           | -                           |
|             | 1200-400SS      | (1) Hex Head Capscrew - 1/2" UNC x 1" SS  |                             |                             |
|             | 1209-61         | (1) Washer - 1/2" SS  |                             |                             |
|             | 1200-4011       | (4) Hex Head Capscrew - 1/2" UNC x 1-1/4" SS  |                             |                             |
|             | 1209-63         | (4) Lock Washer - 1/2" SS   |                             |                             |
| 5           | 1218-722M       | Assembly - Jack Shaft without Sensor Mount (30" Disc)<br>Requires:<br>Same as 1218-72 (Above)   | -                           | 1                           |
| 6           | 1218-750        | Universal 24" Disc - Dished<br>Requires:<br>(6) Hex Head Capscrew - 1/4" UNC x 1" MS<br>(6) Top Lock Nut - 1/4"   | 2                           | -                           |
|             | 1200-203        | (6) Hex Head Capscrew - 1/4" UNC x 1" MS  |                             |                             |
|             | 1205-10         | (6) Top Lock Nut - 1/4"   |                             |                             |
|             |                 | Per Disc  |                             |                             |
| 6           | 1218-350        | Universal 30" Disc - Dished<br>Requires:<br>(6) Hex Head Capscrew - 5/16" UNC x 1-1/4" MS<br>(6) Top Lock Nut - 5/16"   | -                           | 2                           |
|             | 1200-252        | (6) Hex Head Capscrew - 5/16" UNC x 1-1/4" MS   |                             |                             |
|             | 1205-17         | (6) Top Lock Nut - 5/16"  |                             |                             |
|             |                 | Per Disc  |                             |                             |
| 7           | 1218-71         | Weldment - Fin, Left Hand<br>Requires:<br>Hex Head Capscrew - 5/16" UNC x 3/4" MS<br>Hex Head Capscrew - 5/16" UNC x 1" MS<br>Top Lock Nut - 5/16"                  | 4<br>3 Per Fin<br>3 Per Fin | 6<br>3 Per Fin<br>3 Per Fin |
|             | 1200-250        | Hex Head Capscrew - 5/16" UNC x 3/4" MS   |                             |                             |
|             | 1200-251        | Hex Head Capscrew - 5/16" UNC x 1" MS   |                             |                             |
|             | 1205-17         | Top Lock Nut - 5/16"  |                             |                             |
| 10          | 1218-70         | Weldment - Fin, Right Hand<br>Requires:<br>Hex Head Capscrew - 5/16" UNC x 3/4" MS<br>Hex Head Capscrew - 5/16" UNC x 1" MS<br>Top Lock Nut - 5/16"                 | 4<br>3 Per Fin<br>3 Per Fin | 6<br>3 Per Fin<br>3 Per Fin |
|             | 1200-250        | Hex Head Capscrew - 5/16" UNC x 3/4" MS   |                             |                             |
|             | 1200-251        | Hex Head Capscrew - 5/16" UNC x 1" MS   |                             |                             |
|             | 1205-17         | Top Lock Nut - 5/16"  |                             |                             |
| 12          | 1218-01         | Grip - Foam   | 1                           | 1                           |
| 13          | 1218-04         | Adjusting - Safety Snap Pin   | 1                           | 1                           |
| 14          | 1225-01         | Threaded Rod - Fine, 1/2" x 3" Lg., SS<br>Requires:<br>(2) Nut - Hex 1/2" UNF MS  | 1                           | 1                           |
|             | 1205-38         | (2) Nut - Hex 1/2" UNF MS   |                             |                             |
| 15          | 1218-02         | Rod End - Ball Joint, SS<br>Requires:<br>(1) Flat Washer - 1/2" SS<br>(1) Lock Nut - Nylon Insert, Thin 1/2" UNC SS<br>(1) Hex Head Capscrew - 1/2" UNC x 1-1/2" SS | 2                           | 2                           |
|             | 1209-61         | (1) Flat Washer - 1/2" SS   |                             |                             |
|             | 1205-39         | (1) Lock Nut - Nylon Insert, Thin 1/2" UNC SS   |                             |                             |
|             | 1200-350        | (1) Hex Head Capscrew - 1/2" UNC x 1-1/2" SS  |                             |                             |
|             |                 | Per Rod End   |                             |                             |
| 16          | 1218-03         | Weldment - Adjusting Handle<br>Requires:<br>(1) Washer - Oversized<br>(1) Hex Head Capscrew - 1/2" UNC x 1-1/2" SS<br>(1) Lock Nut - Nylon Insert, Thin 1/2" UNC SS | 1                           | 1                           |
|             | 1218-06         | (1) Washer - Oversized  |                             |                             |
|             | 1200-350        | (1) Hex Head Capscrew - 1/2" UNC x 1-1/2" SS  |                             |                             |
|             | 1205-39         | (1) Lock Nut - Nylon Insert, Thin 1/2" UNC SS   |                             |                             |



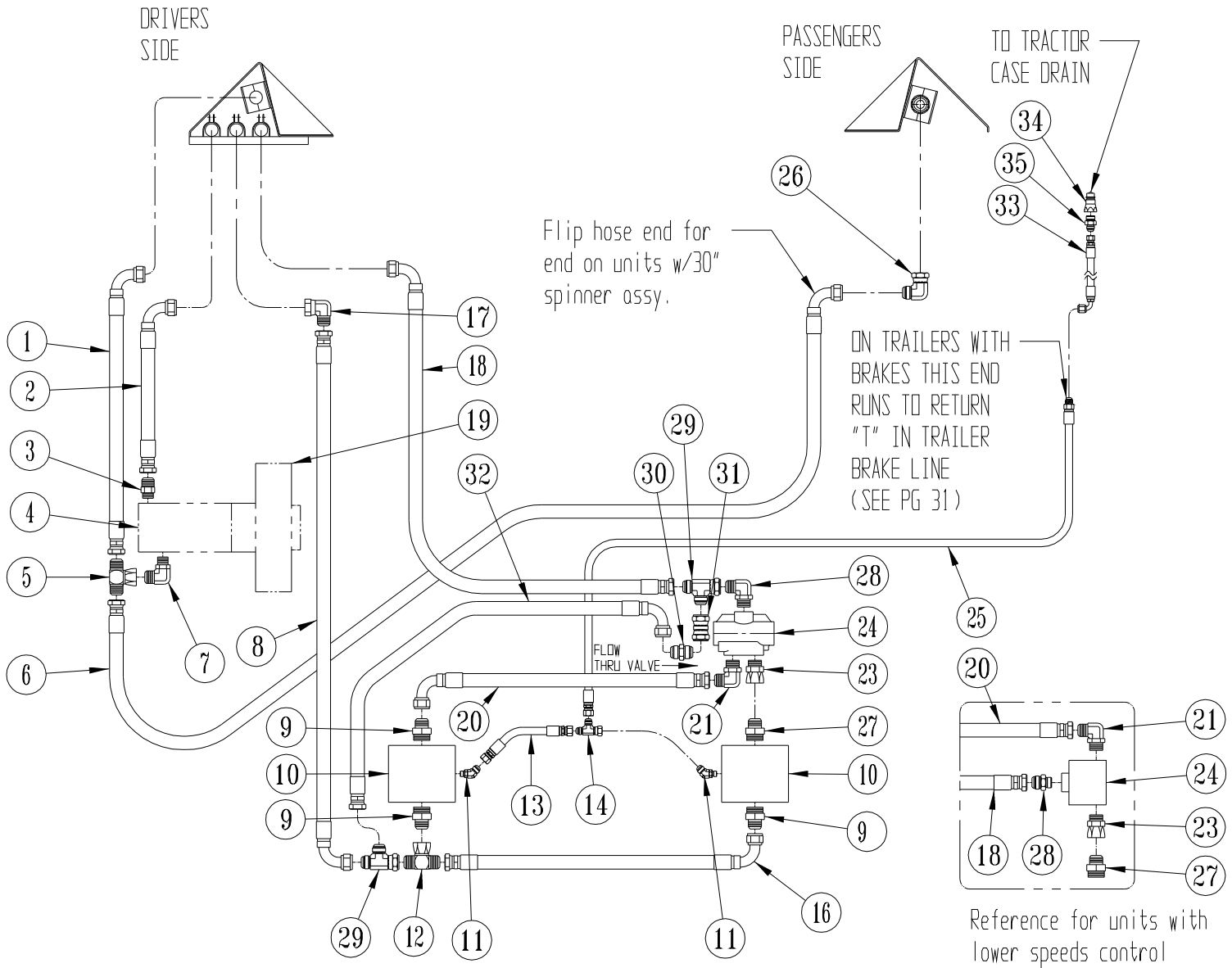
## JACK SHAFT ASSEMBLY

| ITEM | PART NO. | DESCRIPTION  | 24" ASSY QTY. | 30" ASSY QTY. |
|------|----------|--|---------------|---------------|
| 1    | 1204-06  | Seal - Oil   | 1             | 1             |
| 2    | 1204-02  | Fitting - Grease   | 1             | 1             |
| 3    | 1217-104 | Bearing - Ball   | 2             | 2             |
| 4    | 1208-05  | Snap Ring - Internal   | 3             | 3             |
| 5    | 1208-06  | Snap Ring - External   | 1             | 1             |
| 6    | 1200-245 | Cap Screw - Socket Head 10-24 x 1/4"   | 4             | 4             |
| 7    | 1218-735 | Kit - Sensor Hole Plug<br>Includes:<br>(1) Plug Plate<br>(1) O-ring<br>(1) Screw - 1/4-20 x 1/2" SS Philips Pan Head | As Req'd      | As Req'd      |
|      | 1218-72  | Assembly - Jack Shaft without Sensor Mount   | 1             | -             |
|      | 1218-73  | Assembly - Jack Shaft with Sensor Mount  | 1             | -             |
|      | 1218-722 | Assembly - Jack Shaft without Sensor Mount   | -             | 1             |
|      | 1218-732 | Assembly - Jack Shaft with Sensor Mount  | -             | 1             |



**OPTIONAL SPINNER GUARDS AND MATERIAL FLOW DIVIDER**

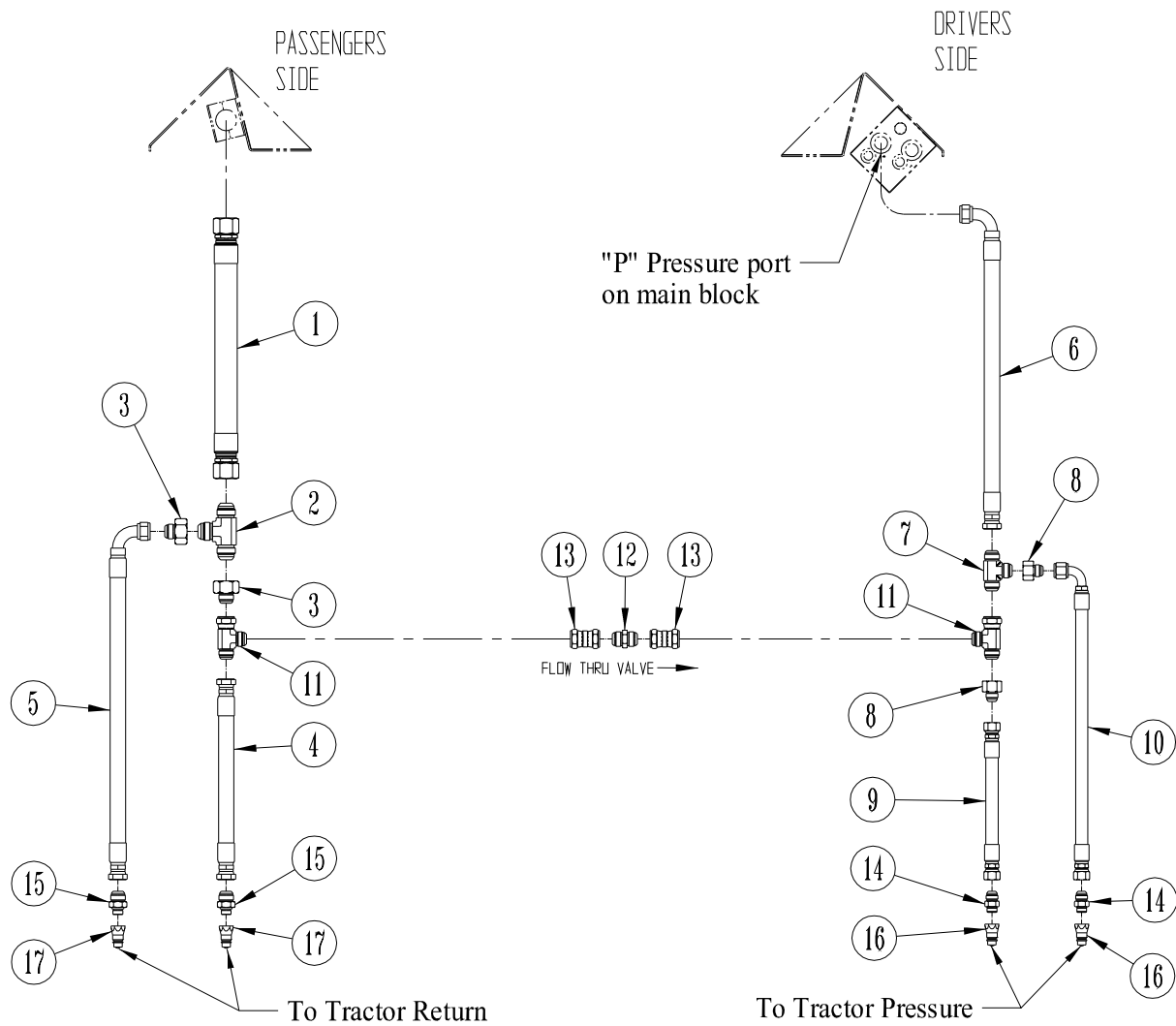
| <u>ITEM</u> | <u>PART NO.</u> | <u>DESCRIPTION</u>  | <u>24" ASSY QTY.</u> | <u>30" ASSY QTY.</u> |
|-------------|-----------------|---|----------------------|----------------------|
| 1           | 1236-305        | Weldment - 24" Spinner Guard, Upper<br>Requires:<br>1200-303SS (4) Hex Head Capscrew - 3/8" UNC X 1-1/4" SS<br>1209-41 (8) Flat Washer - 3/8" SS<br>1205-26 (4) Lock Nut - 3/8" UNC SS  | 1                    | -                    |
| 1           | 1236-307        | Weldment - 30" Spinner Guard, Upper<br>Requires:<br>Same as 1236-305 (Above)  | -                    | 1                    |
| 2           | 1234-306        | Weldment - 24" Spinner Guard, Lower<br>Requires:<br>1200-303SS (4) Hex Head Capscrew - 3/8" UNC X 1-1/4" SS<br>1209-41 (8) Flat Washer - 3/8" SS<br>1205-26 (4) Lock Nut - 3/8" UNC SS  | 1                    | -                    |
| 2           | 1236-308        | Weldment - 30" Spinner Guard, Lower<br>Requires:<br>Same as 1234-306 (Above)  | -                    | 1                    |
| 3           | 1236-402A       | Weldment - 24" Material Flow Divider, Front Plate<br>Requires:<br>1200-3011 (2) Hex Head Capscrew - 3/8" UNC X 1" SS<br>1209-41 (2) Flat Washer - 3/8" SS<br>1209-43 (2) Lock Washer - 3/8" SS<br>1205-27 (2) Nut - 3/8" UNC SS | 1                    | -                    |
| 3A          | 1236-404        | Adapter - Mounting<br>Requires:<br>Same as 1234-402 (Above)<br>Per Adapter  | 1-RH, 1-LH           | -                    |
| 3           | 1236-402        | Weldment - 30" Material Flow Divider, Front Plate<br>Requires:<br>Same as 1234-402 (Above)  | -                    | 1                    |
| 4           | 1234-403        | Weldment - 24" Material Flow Divider, Back Plate<br>Requires:<br>1209-41 (1) Flat Washer - 3/8" SS<br>1205-26 (1) Lock Nut - 3/8" SS  | 1                    | -                    |
| 4           | 1236-403        | Weldment - 30" Material Flow Divider, Back Plate<br>Requires:<br>Same as 1234-403 (Above)   | -                    | 1                    |
| 6           | 1218-05         | Plug - Tube, Poly   | 6                    | 6                    |



## SPINNER/CONVEYOR DRIVE HYDRAULICS

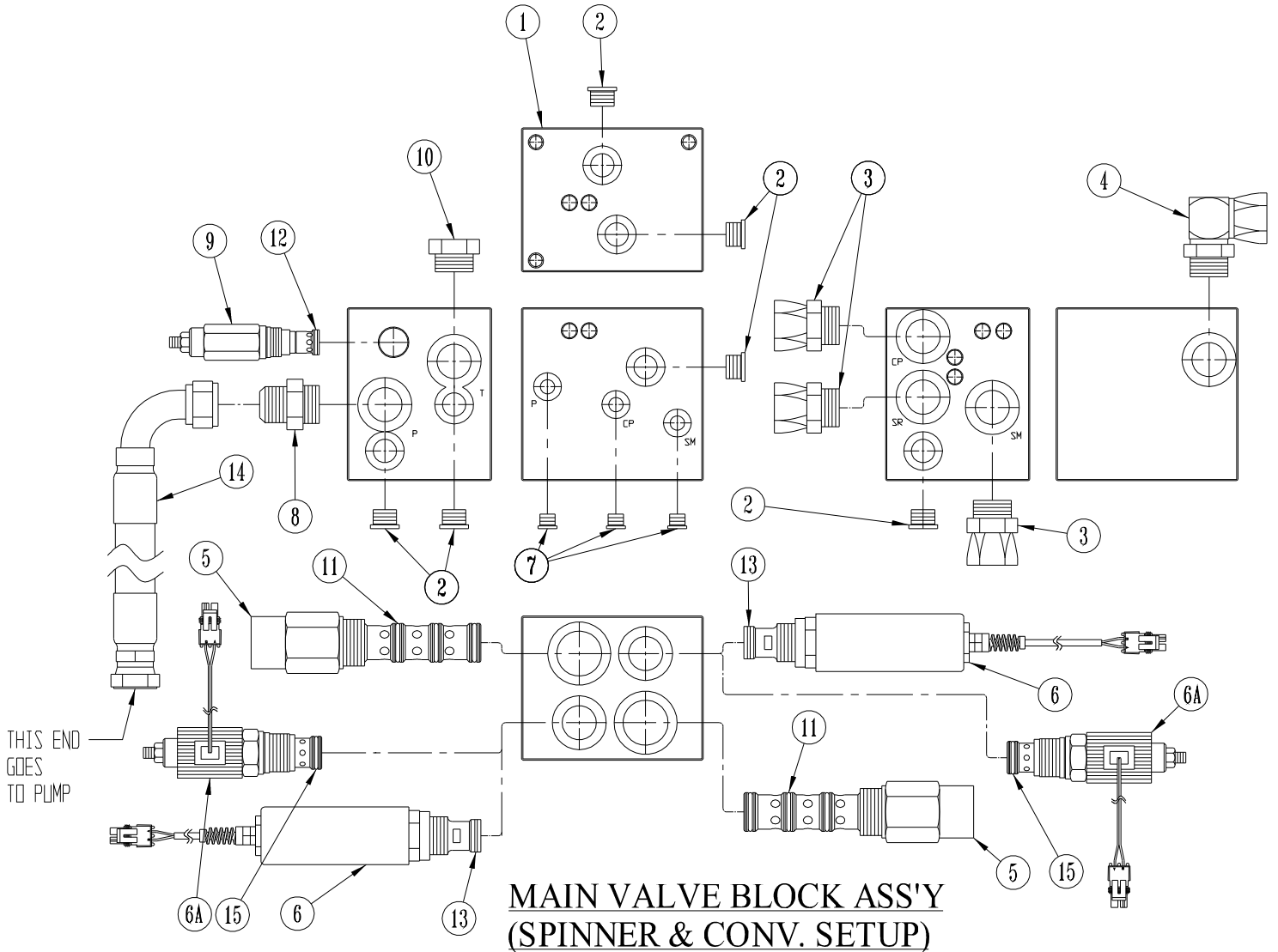
**FORCE UNLTD.** SPREADERS \* GPS EQUIPMENT \* CONVEYORS

| <b>ITEM</b> | <b>PART NO.</b>   | <b>DESCRIPTION</b>   | <b>QTY</b> |
|-------------|---|--|------------|
| 1           | 1207-03   | Hose Ass'y   | 1          |
| 2           | 1207-04 (Agforce)<br>1207-041 (Pro-Force)   | Hose Ass'y   | 1          |
| 3           | 1202-111  | Adapter - Straight   | 1          |
| 4           |   | Motor - Hydraulic (See Pg. 1)                                      |            |
| 5           | 1202-300 (24" Spinner Assy)<br>1202-3015 (30" Spinner Assy)   | Adapter - Tee  | 1          |
| 6           | 1207-06 (24" Spinner Assy)<br>1207-065 (30" Spinner Assy)   | Hose Ass'y   | 1          |
| 7           | 1202-204  | Adapter - Elbow  | 1          |
| 8           | 1207-07 (24" Spinner Assy)<br>1207-075 (30" Spinner Assy)   | Hose Ass'y   | 1          |
| 9           | 1202-112 (24" Spinner Assy)<br>1202-111 (30" Spinner Assy)  | Adapter - Straight   | 3          |
| 10          |   | Motor - Hydraulic, Spinner (See Pg. 3)                             |            |
| 11          | 1202-208  | Adapter - 45 Deg.  | 2          |
| 12          | 1202-300  | Adapter - Tee  | 1          |
| 13          | 1207-11 (24" Spinner Assy)<br>1207-111 (30" Spinner Assy)   | Hose   | 1          |
| 14          | 1202-3014   | Adapter - Tee  | 1          |
| 15          |   |  |            |
| 16          | 1207-02 (24" Spinner Assy)<br>1207-021 (30" Spinner Assy)   | Hose Ass'y   | 1          |
| 17          | 1202-200  | Adapter - Elbow  | 1          |
| 18          | 1207-05 (24" Spinner Assy)<br>1207-055 (30" Spinner Assy)   | Hose Ass'y   | 1          |
| 19          |   | Gear Box (See Pg. 1)   |            |
| 20          | 1207-01 (24" Spinner Assy)<br>1207-03 (24" Spinner Assy w/Lower Spinner Speeds Control)<br>1207-011 (30" Spinner Assy)  | Hose Ass'y   | 1          |
| 21          | 1202-201 (STD Spinner Speeds Control)<br>1202-204 (Lower Spinner Speeds Control)  | Adapter - Elbow  | 1          |
| 22          |   |  |            |
| 23          | 1202-117 (STD Spinner Speeds Control)<br>1202-1171 (Lower Spinner Speeds Control)   | Adapter - Straight   | 1          |
| 24          | 1211-18 (STD Spinner Speeds Control)<br>1211-181 (Lower Spinner Speeds Control)<br>1211-18SP (30" Spinner Assy)   | Valve - Flow Divider   | 1          |
| 25          | 1207-721  | Hose Ass'y   | 1          |
| 26          | 1202-200 (30" Spinner Assy)   | Adapter - Elbow  | 1          |
| 27          | 1202-112 (24" Spinner Assy w/STD Speeds Control)<br>1202-1105 (24" Spinner Assy w/Lower Spinner Speeds Control)<br>1202-111 (30" Spinner Assy w/STD Speeds Control)<br>1202-110 (30" Spinner Assy w/Lower Spinner Speeds Control) | Adapter - Straight   | 1          |
| 28          | 1202-201 (STD Spinner Speeds Control)<br>1202-111 (Lower Spinner Speeds Control)  | Adapter - Elbow<br>Adapter - Straight                              | 1          |
| 29          | 1202-3015 (30" Spinner Assy)  | Adapter - Tee  | 2          |
| 30          | 1211-603 (30" Spinner Assy)   | Check Valve  | 1          |
| 31          | 1202-6516 (30" Spinner Assy)  | Adapter - Straight   | 1          |
| 32          | 1207-132 (30" Spinner Assy)   | Hose Ass'y   | 1          |
| 33          | 1207-716  | Hose Ass'y   | 1          |
| 34          | 1202-8434<br>1202-8433  | Quick Coupler<br>Quick Coupler Plug (w/Case Drain Opt. on tractor) | 1<br>1     |
| 35          | 1202-1076   | Adapter - Straight   | 1          |



## FRONT TRAILER HYDRAULICS

| ITEM | PART NO.   | DESCRIPTION        | QTY |
|------|------------|--------------------|-----|
| 1    | 1207-732   | Hose Ass'y         | 1   |
| 2    | 1202-2604  | Adapter - Tee      | 1   |
| 3    | 1202-10350 | Adapter - Straight | 2   |
| 4    | 1207-731   | Hose Ass'y         | 1   |
| 5    | 1207-730   | Hose Ass'y         | 1   |
| 6    | 1207-733   | Hose Ass'y         | 1   |
| 7    | 1202-2603  | Adapter - Tee      | 1   |
| 8    | 1202-1035  | Adapter - Straight | 2   |
| 9    | 1207-735   | Hose Ass'y         | 1   |
| 10   | 1207-734   | Hose Ass'y         | 1   |
| 11   | 1202-3015  | Adapter - Tee      | 2   |
| 12   | 1211-603   | Check Valve        | 1   |
| 13   | 1202-6516  | Adapter - Straight | 2   |
| 14   | 1202-109   | Adapter - Straight | 2   |
| 15   | 1202-1100  | Adapter - Straight | 2   |
| 16   | 1202-8432  | Quick Coupler      | 2   |
| 17   | 1202-8434  | Quick Coupler      | 2   |



| ITEM | PART NO.   | DESCRIPTION  | QTY      |
|------|------------|--|----------|
| 1    | 1211-00    | Valve Block - Hydraulic<br>Requires:<br>1200-400SS (3) Hex Head Capscrew - 1/2" UNC x 1" SS<br>1209-63 (3) Lock Washer - 1/2" SS | 1        |
| 2    | 1202-119   | Plug   | 6        |
| 3    | 1202-117   | Adapter - Straight   | 3        |
| 4    | 1202-210   | Adapter - Elbow  | 1        |
| 5    | 1211-80    | Cartridge - PSI Compensator  | 2        |
| 6    | 1211-01 A  | Valve - Hydraulic Servo  | 2        |
| 6A   | 1211-011 A | Valve - PWM  | 2        |
| 7    | 1202-118   | Plug   | 3        |
| 8    | 1202-116   | Adapter - Straight   | 1        |
| 9    | 1211-945   | Valve - Hydraulic Relief   | 1        |
| 10   | 1202-120   | Plug   | 1        |
| 11   | 1211-80K   | Seal Kit   | As Req'd |
| 12   | 1211-95K   | Seal Kit   | As Req'd |
| 13   | 1211-01 K  | Seal Kit   | As Req'd |
| 14   | 1207-131   | Hose Assy  | 1        |
| 15   | 1211-011SK | Seal Kit   | 1        |

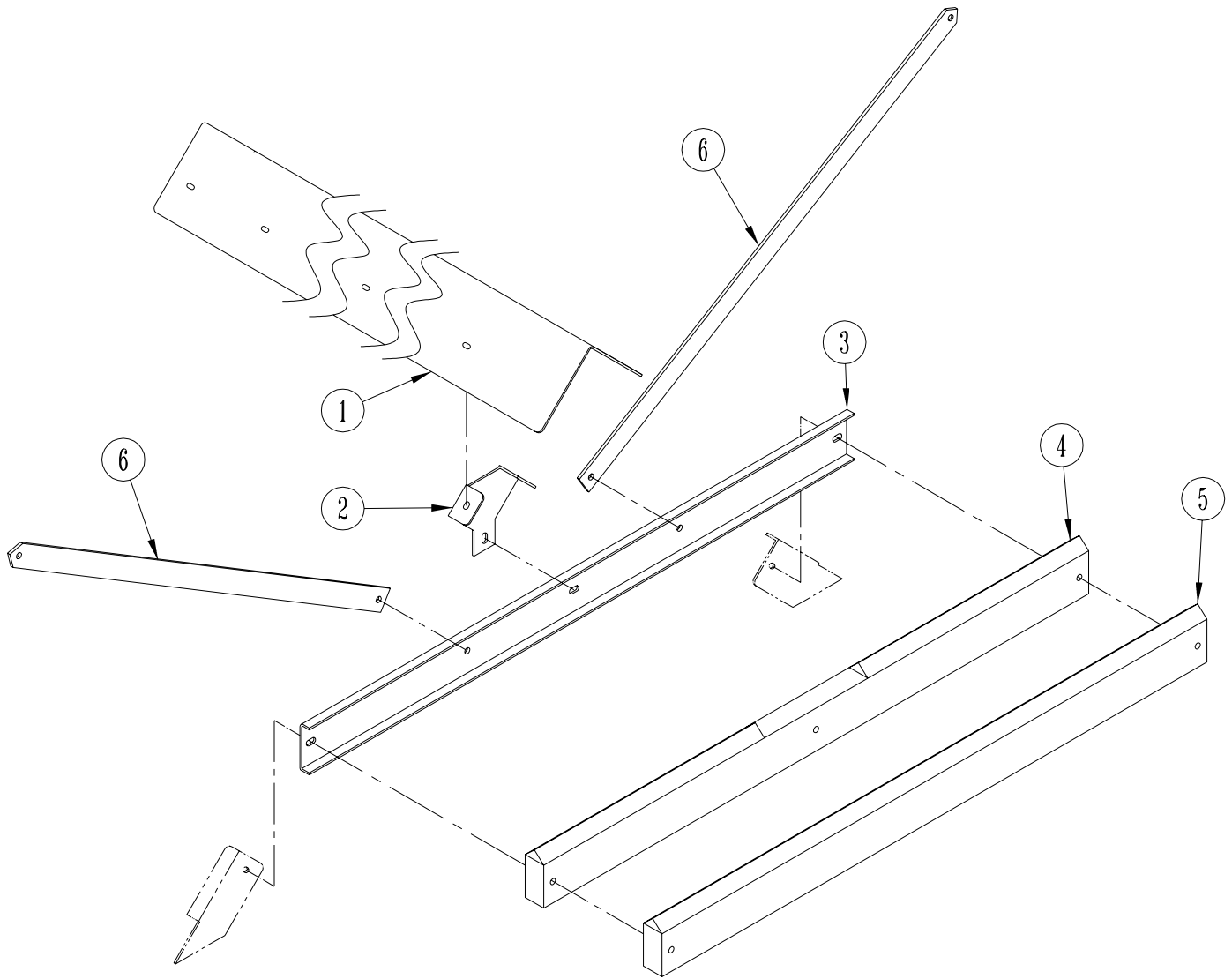


## Standard Main Valve Block Configuration



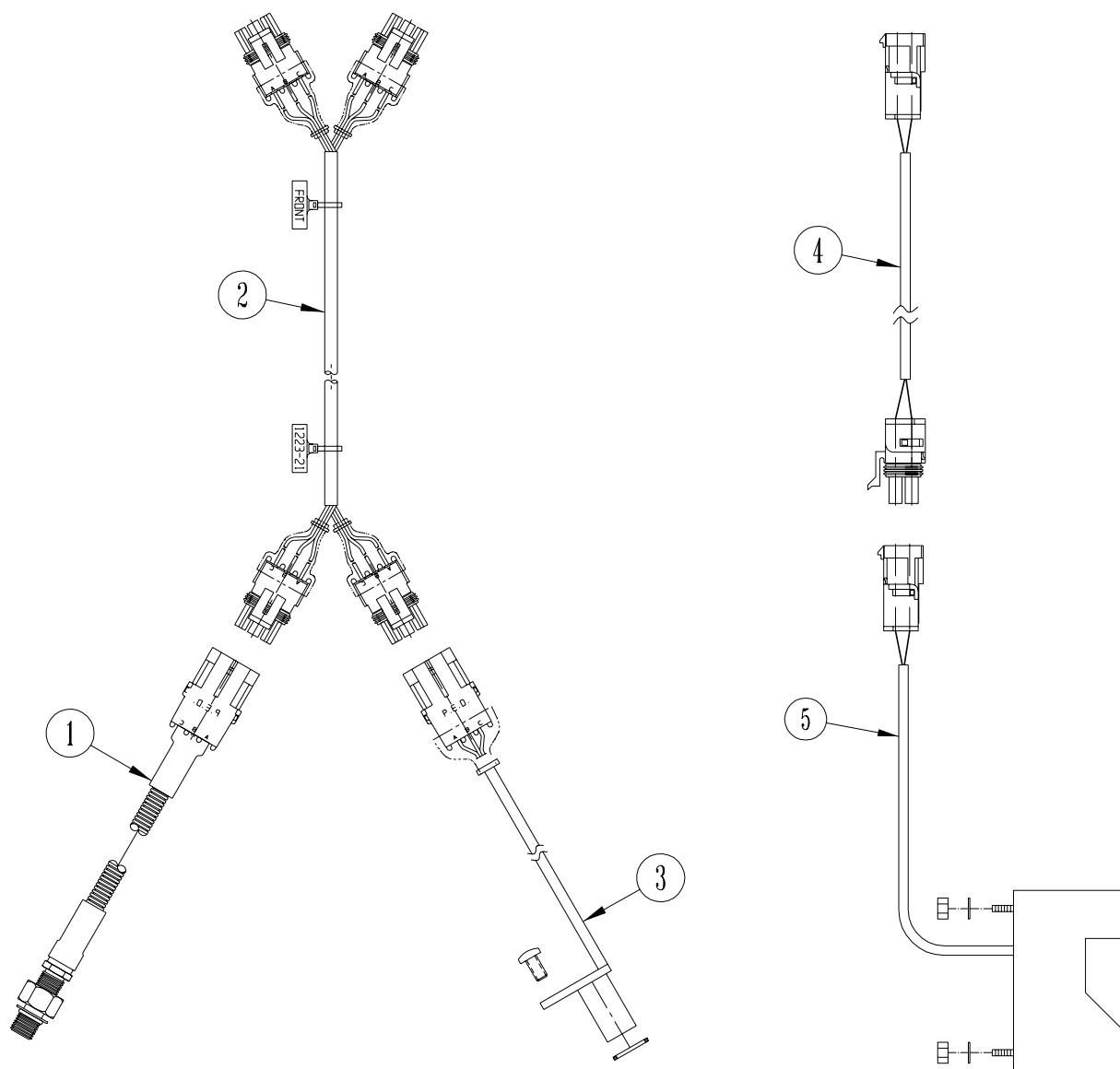
Note: This page is for visual purposes only.

For Details Reference: Pg. 10 Main Block (Conveyor & Spinner Setup)



**INVERTED "V" & CROSS BRACE ASSEMBLY**

| ITEM | PART NO.   | DESCRIPTION   | QTY   |
|------|--|---|---|
| 1    | 1234-105<br>1234-105MS<br>1236-1055<br><br>1236-1055MS<br><br>1200-302SS<br>1205-27<br>1209-41<br>1209-43          | SS Inverted "V" (12'-16' Box Lengths, 102" Wide)<br>MS Inverted "V" (12'-16' Box Lengths, 102" Wide)<br>SS Inverted "V" (12'-18' Box Lengths, 90" Wide)<br>(18'-28' Box Lengths, 102" Wide)<br>MS Inverted "V" (12'-18' Box Lengths, 90" Wide)<br>(18'-28' Box Lengths, 102" Wide)<br><br>Requires:<br>(2) Carriage Bolt - 3/8" UNC X 1" Lg. SS<br>(2) Nut - 3/8" SS<br>(2) Flat Washer - 3/8" SS<br>(2) Lock Washer - 3/8" SS<br><br>Per 1234-106 OR 1234-106MS (Inverted "V" Bracket) | 1   |
| 2    | 1234-106<br>1234-106MS<br><br>1200-401<br>or 1200-412<br><br>1205-36<br>1209-61<br>1209-63                         | Bracket - SS Inverted "V"<br>Bracket - MS Inverted "V"<br>Requires:<br>(1) Carriage Bolt - 1/2" UNC X 1 1/4" Lg. SS<br>or Hex Head Capscrew - 1/2" UNC x 3" Lg.<br>for use w/Asphalt style cross braces<br>(1) Nut - 1/2" SS<br>(1) Flat Washer - 1/2" SS<br>(1) Lock Washer - 1/2" SS<br><br>Per Bracket   | 2   |
| 3    | 1234-107<br>1234-107MS<br><br>1200-401<br>1205-36<br>1209-61<br>1209-63  | Cross Brace - SS<br>Cross Brace - MS<br>Requires:<br>(2) Carriage Bolt - 1/2" UNC X 1 1/4" Lg. SS<br>(2) Nut - 1/2" SS<br>(2) Flat Washer - 1/2" SS<br>(2) Lock Washer - 1/2" SS<br><br>Per Cross Brace   | 2 (12'-16' Box Lengths, 90" Wide)<br>3 (16'-18' Box Lengths, 90" Wide)<br>3 (18' Box Lengths, 102" Wide)<br>4 (20'-22' Box Lengths, 102" Wide)<br>5 (23', 24' & 26' Box Lengths, 102" Wide)<br>6 (28' Box Lengths, 102" Wide) |
| 4    | 1236-107<br><br>1200-412<br>1205-36<br>1209-61<br>1209-63  | Front Cross Brace Weldment - Asphalt Unit<br>Requires:<br>(2) Hex Head Capscrew - 1/2" UNC X 3" Lg.<br>(2) Nut - 1/2" SS<br>(2) Flat Washer - 1/2" SS<br>(2) Lock Washer - 1/2" SS<br><br>Per Cross Brace   | 2 (16'-18' Box Lengths, Asphalt Unit)<br>3 (21' Box Lengths, Asphalt Unit)  |
| 5    | 1236-107-2<br><br>1200-412<br>1205-36<br>1209-61<br>1209-63  | Rear Cross Brace Weldment - Asphalt Unit<br>Requires:<br>(2) Hex Head Capscrew - 1/2" UNC X 3" Lg.<br>(2) Nut - 1/2" SS<br>(2) Flat Washer - 1/2" SS<br>(2) Lock Washer - 1/2" SS<br><br>Per Cross Brace  | 1 (Per Asphalt Unit)  |
| 6    | 1236-106<br>1236-106 MS<br>1236-1061<br>1236-1061 MS<br><br>1200-412<br>1200-3011<br>1205-36<br>1209-61<br>1209-63 | Side Panel Brace for SS 102" Wide Pro-Force<br>Side Panel Brace for MS 102" Wide Pro-Force<br>Side Panel Brace for SS 90" Wide Pro-Force<br>Side Panel Brace for MS 90" Wide Pro-Force<br>Requires:<br>(1) Hex Head Capscrew - 3/8" UNC X 3" Lg.<br>(1) Hex Head Capscrew - 3/8" UNC X 1" Lg. SS<br>(2) Nut - 3/8" SS<br>(2) Flat Washer - 3/8" SS<br>(2) Lock Washer - 3/8" SS<br><br>Per Brace  | 2 Per 16' & 17' Pro-Force<br>4 Per 18' - 26' Pro-Force<br>6 Per 28' Pro-Force   |

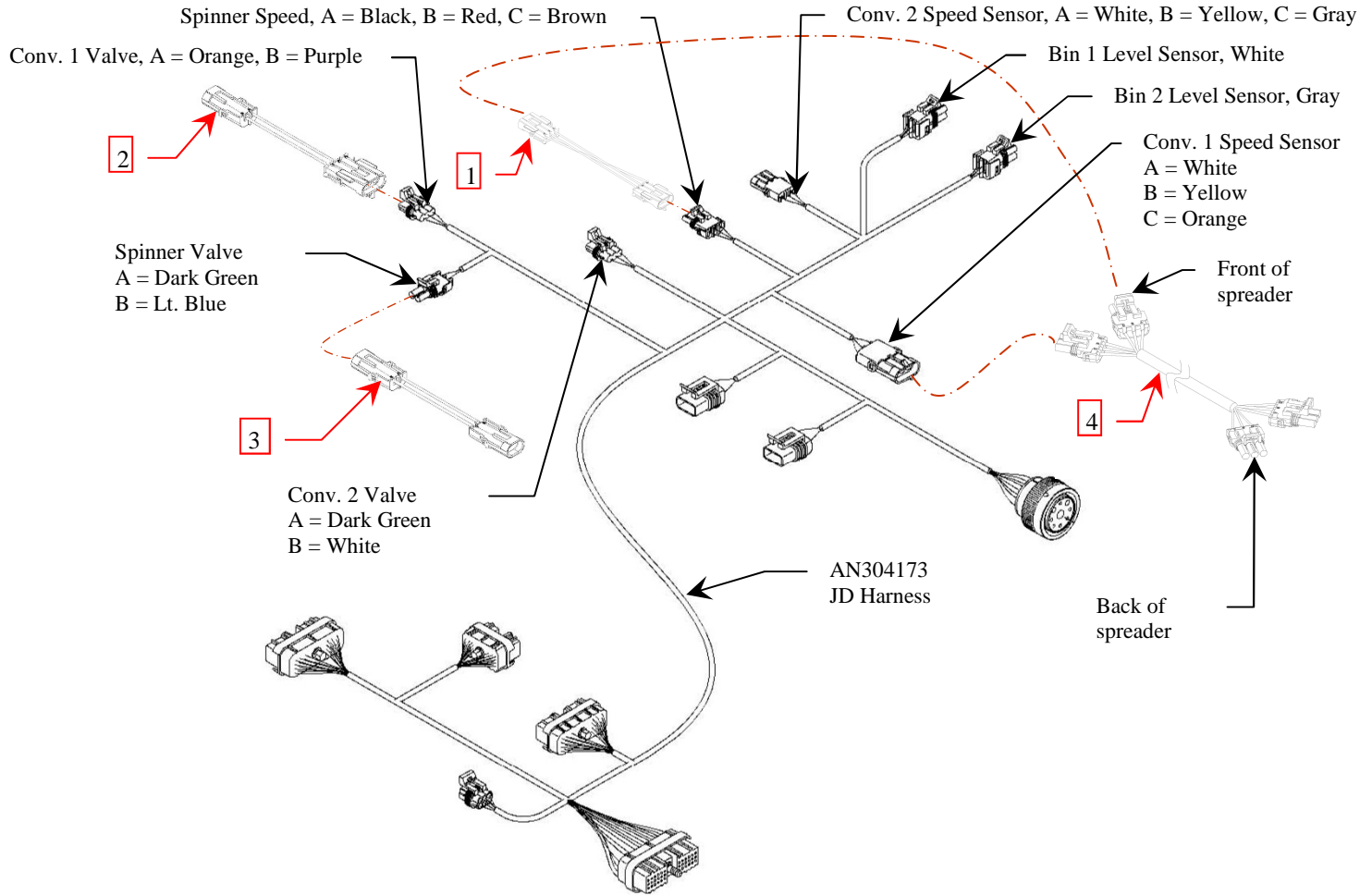


## SENSOR WIRING HARNESS

| ITEM | PART NO. | DESCRIPTION                      | QTY |
|------|----------|----------------------------------|-----|
| 1    | 1223-600 | Sensor - Conveyor Speed          | 1   |
| 2    | 1223-21  | Cable Assy - Sensor              | 1   |
| 3    | 1223-22  | Sensor - Hub Assy                | 1   |
| 4    | 1223-829 | Optional Cable - Ass'y Bin Level | 1   |
| 5    | 1223-64  | Optional Sensor - Bin Level      | 1   |

# FORCE UNLTD.

SPREADERS\*GPS EQUIPMENT\*CONVEYORS



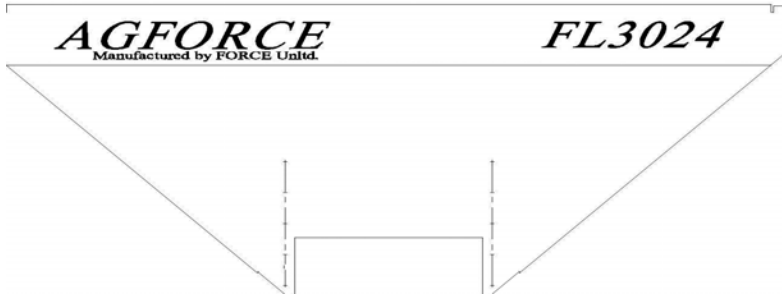
## John Deere AN304173 Electrical Harness Adapter Kit

| <u>ITEM</u> | <u>PART NO.</u> | <u>DESCRIPTION</u>                     | <u>QTY.</u> |
|-------------|-----------------|--|-------------|
| 1           | 1223-403        | Adapter Cable - Spinner Speed Sensor   | 1           |
| 2           | 1223-402        | Adapter Cable - Conveyor 1 Servo Valve | 1           |
| 3           | 1223-4040       | Adapter Cable - Spinner Valve          | 1           |
| 4           | 1223-21         | Cable Assy - Sensor                    | 1           |

### John Deere Parts Required for Trailer Units

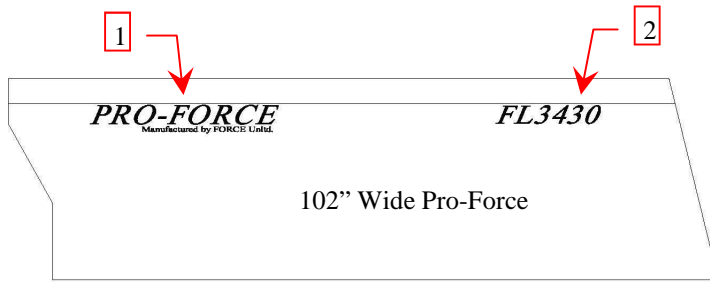
| <u>JD PART NO.</u> | <u>DESCRIPTION</u>                               | <u>QTY.</u> |
|--------------------|--|-------------|
| PF81045            | Foot Switch Kit                                  | 1           |
| AN304988           | Wiring Harness - Implement Switch to Foot Switch | 1           |
| AN304156           | Wiring Harness - Tractor to Spreader             | 1           |
| AN207114           | Control  | 1           |
| AN304173           | Wiring Harness (Shown in diagram above)          | 1           |

Part #'s listed are current as of Jan. 2010 - Verify with your local JD Dealer.

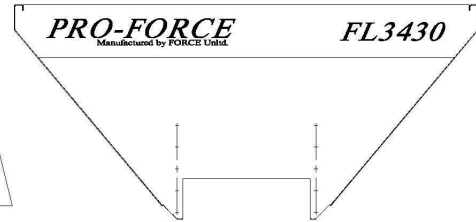


## Decals

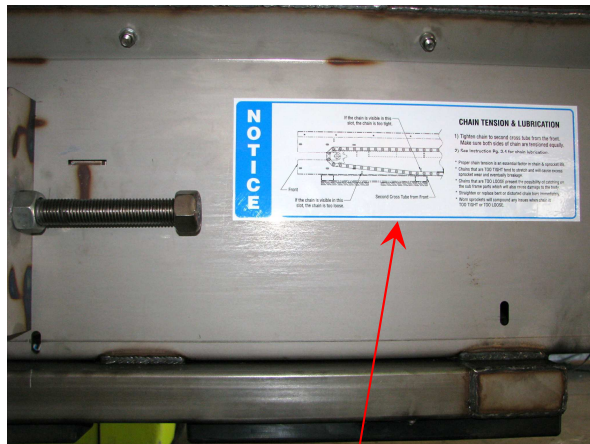
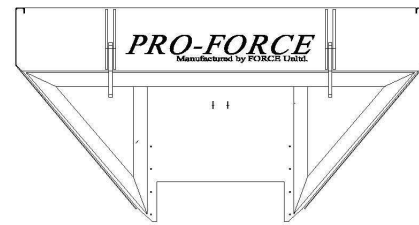
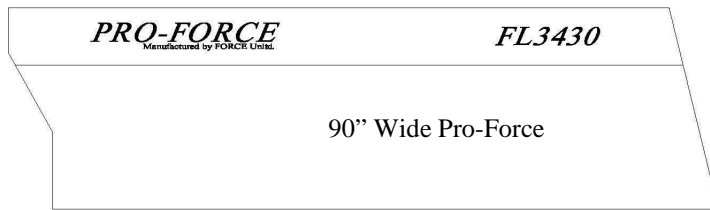
| <u>ITEM</u> | <u>PART NO.</u>                  | <u>DESCRIPTION</u>   | <u>QTY.</u> |
|-------------|----------------------------------|--|-------------|
| 1           | 1234-060<br>1234-061<br>1234-062 | Decal - AGFORCE (Red)<br>Decal - AGFORCE (Black)<br>Decal - AGFORCE (Black/Yellow) | 3           |
| 2           | 1234-040<br>1234-041<br>1234-042 | Decal - FL3024 (Red)<br>Decal - FL3024 (Black)<br>Decal - FL3024 (Black/Yellow)    | 3           |
| 3           | 1234-055                         | Decal - Chain Tension  | 1           |
| 4           | 1234-056                         | Decal - Hydraulic Oil  | 1           |



Front



Rear



3

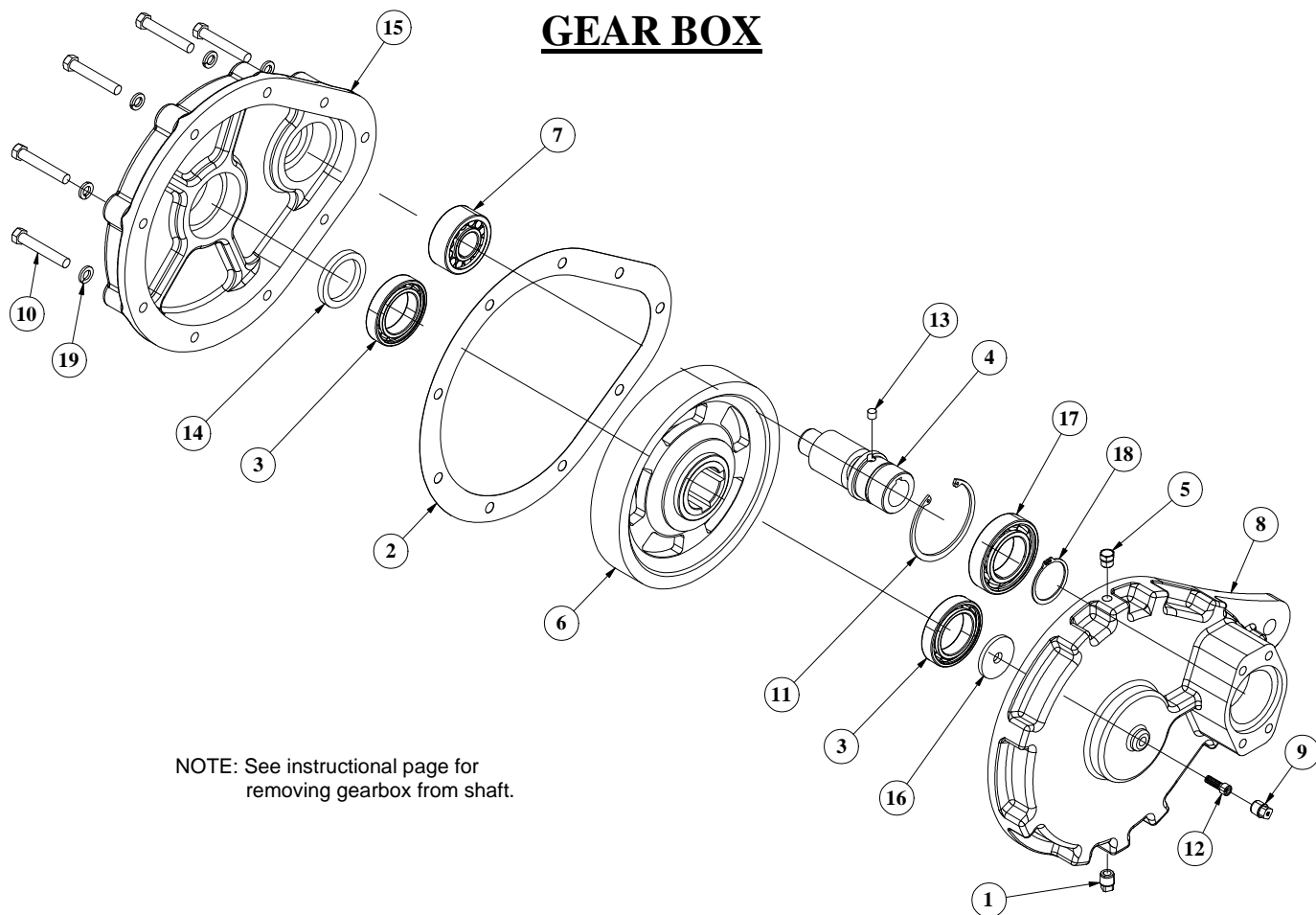


4

## Decals

| <u>ITEM</u> | <u>PART NO.</u>                      | <u>DESCRIPTION</u>   | <u>SWINGING<br/>ENDGATE<br/>QTY'S</u> | <u>SOLID REAR<br/>PANEL<br/>QTY'S</u> |
|-------------|--------------------------------------|--|---------------------------------------|---------------------------------------|
| 1           | 1236-060<br>1236-060 B<br>1236-060W  | Decal, PRO-FORCE (Red)<br>Decal, PRO-FORCE (Black)<br>Decal, PRO-FORCE (White) | 3<br>3<br>3                           | 3<br>3<br>3                           |
| 2           | 1236-041<br>1236-041 B<br>1236-041 W | Decal - FL3430 (Red)<br>Decal - FL3430 (Black)<br>Decal - FL3430 (White)       | 2<br>2<br>2                           | 3<br>3<br>3                           |
| 3           | 1234-055                             | Decal - Chain Tension  | 1                                     | 1                                     |
| 4           | 1234-056                             | Decal - Hydraulic Oil  | 1                                     | 1                                     |

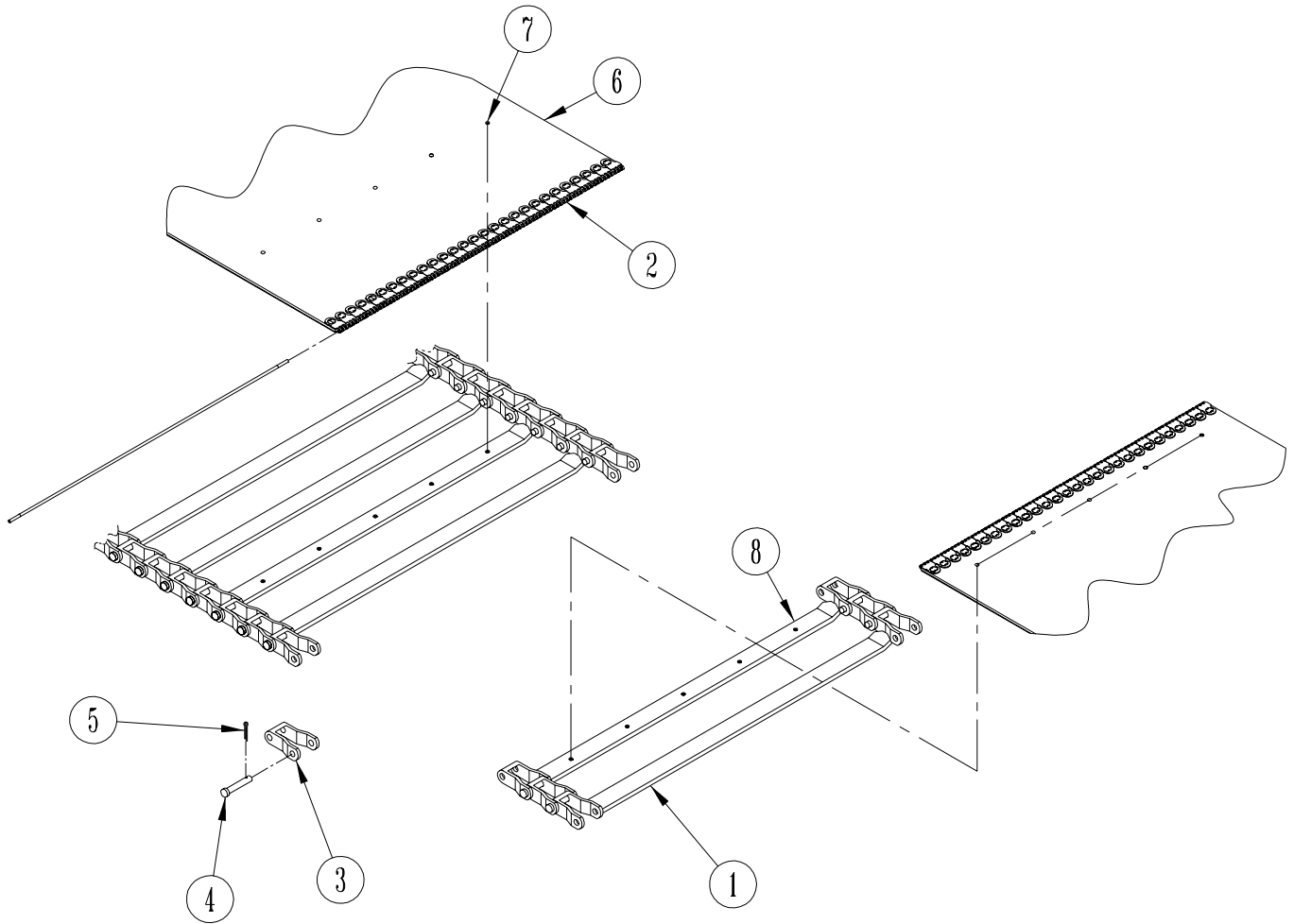
## GEAR BOX



NOTE: See instructional page for removing gearbox from shaft.

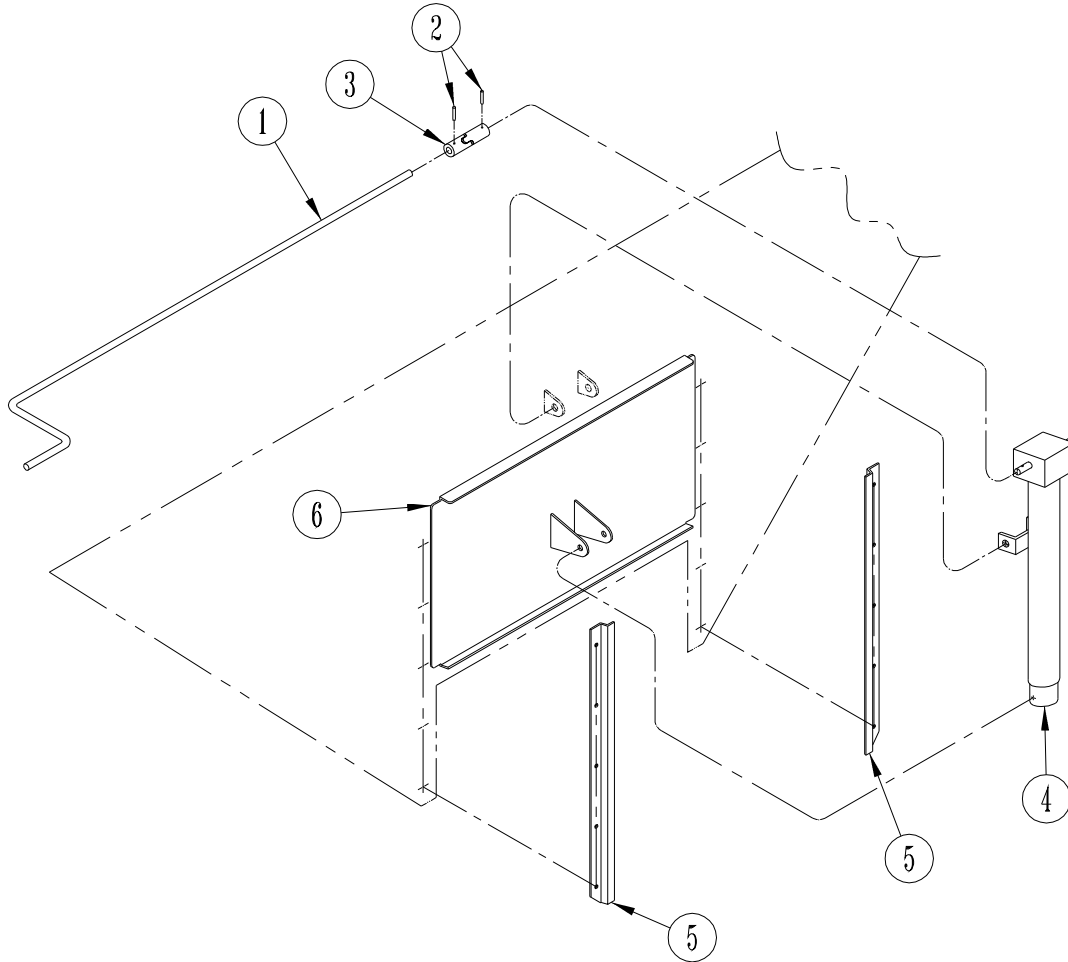
| ITEM | PART NO.  | DESCRIPTION                            | QTY |
|------|-----------|--|-----|
| 1    | 1201-238M | Plug - 1/2" Square Head, Magnetic      | 1   |
| 2    | 1204-08   | Gasket                                 | 1   |
| 3    | 1217-104  | Bearing                                | 2   |
| 4    | 1217-110  | Gear - Pinion                          | 1   |
| 5    | 1220-501  | Breather                               | 1   |
| 6    | 1217-111  | Gear - Driven                          | 1   |
| 7    | 1217-105  | Bearing - Small - Pinion Nose          | 1   |
| 8    | 1220-50-O | Housing - Outboard, Gearbox            | 1   |
| 9    | 1201-238  | Plug - 1/2" Square Head                | 1   |
| 10   | 1200-327  | Hex Head Capscrew - 7/16" UNC x 2 3/4" | 9   |
| 11   | 1208-97   | Snap Ring                              | 1   |
| 12   | 1200-251A | Capscrew - Socket Head 5/16-18 x 1"    | 1   |
| 13   | 1217-110P | Plug - Delrin                          | 1   |
| 14   | 1204-07   | Seal                                   | 1   |
| 15   | 1220-50-I | Housing - Inboard, Gearbox             | 1   |
| 16   | 1209-100  | Washer - Retainer                      | 1   |
| 17   | 1217-106  | Bearing - Large - Pinion Shaft         | 1   |
| 18   | 1208-06   | Snap Ring                              | 1   |
| 19   | 1209-102  | Lock Washer - 7/16"                    | 9   |





## **BELT OVER PINTLE CHAIN**

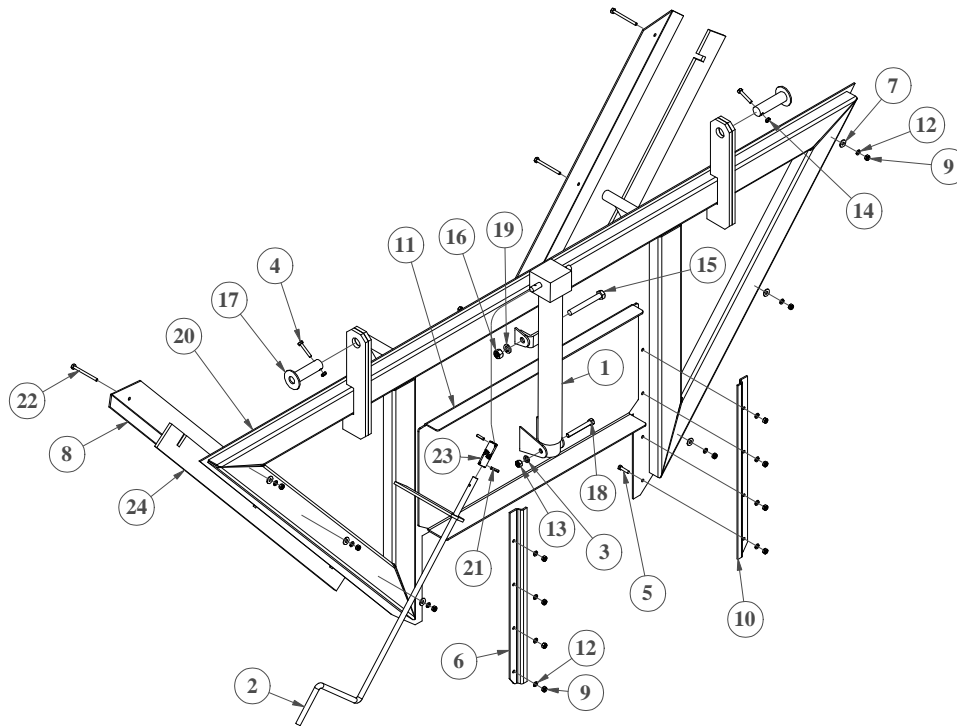
| <b><u>ITEM</u></b> | <b><u>PART NO.</u></b>  | <b><u>DESCRIPTION</u></b>   | <b><u>QTY.</u></b>   |
|--------------------|---|---|----------------------|
| 1                  | 1 236-907   | Weldment - Crossbar (without holes)   | As Req'd             |
| 2                  | 1 000-42<br>1 000-43  | Splice Kit - M/S<br>Splice Kit - S/S  | 1                    |
| 3                  | 1 234-901   | Link - Pintle Chain   | As Req'd             |
| 4                  | 1 234-902   | Pin - Pintle Chain  | As Req'd             |
| 5                  | 1 234-903   | Cotter Pin  | As Req'd             |
| 6                  | 1 000-29<br>1 000-29TK  | Belt - Conveyor (Specify Box Length)<br>High Temp. Belt - Conveyor (Specify Box Length)   | As Req'd<br>As Req'd |
| 7                  | 1 209-40C<br>1 209-41C<br>1 200-248<br>1 200-249<br>1 200-251 5 | Washer - Dimpled M/S<br>Washer - Dimpled S/S<br>Allen Head Cap Screw - Alloy Steel<br>Allen Head Cap Screw - Stainless Steel<br>Allen Head Cap Screw - Alloy Steel (Used on High Temp BOC only) | As Req'd             |
| 8                  | 1 236-908   | Weldment - Crossbar (with holes)  | As Req'd             |



## FEEDGATE ASSEMBLY w/SOLID REAR PANEL

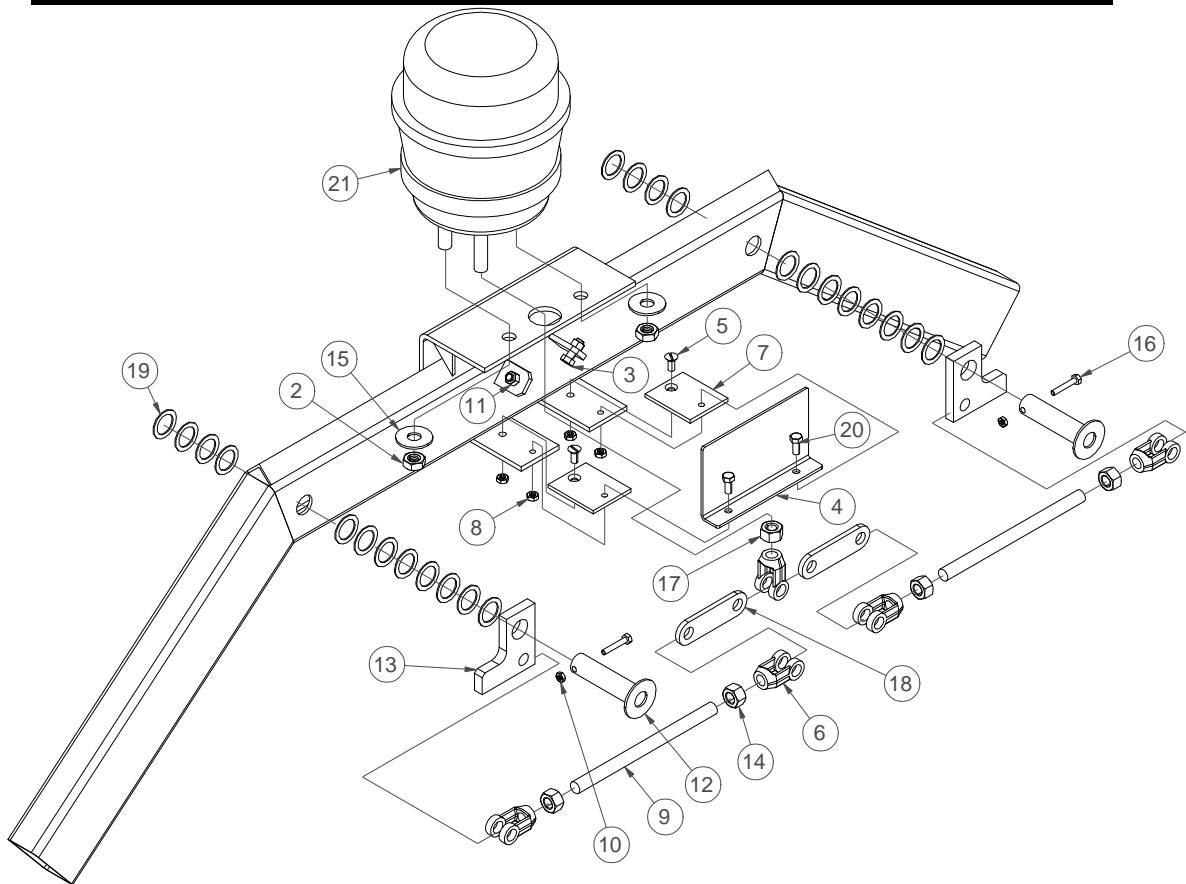
| ITEM | PART NO.  | DESCRIPTION   | QTY        |
|------|---|---|------------|
| 1    | 1218-81<br>1218-81SS  | Handle- MS<br>Handle- SS  | 1          |
| 2    | 1208-015  | Roll Pin  | 2          |
| 3    | 1218-85   | U-Joint   | 1          |
| 4    | 1218-80<br><br>1200-310<br>1209-42<br>1205-21<br><br>1200-416<br>1209-62<br>1205-37 | Assembly - Jack<br>Lower Tab Requires:<br>(1) Hex Head Capscrew - 3/8" UNC x 3" MS<br>(1) Lock Washer - 3/8" MS<br>(1) Nut - 3/8" UNC MS<br>Upper Tab Requires:<br>(1) Hex Head Capscrew - 1/2" UNC x 4" MS<br>(1) Lock Washer - 1/2" MS<br>(1) Nut - 1/2" UNC MS | 1          |
| 5    | 1218-86   | SS Slides - Feedgate  | 1-RH, 1-LH |
| 5    | 1218-86MS<br><br>1200-202<br>1209-22<br>1205-11                                     | MS Slides - Feedgate<br>Requires (Per Slide):<br>(5) Hex Head Capscrew - 1/4" UNC x 1" SS<br>(5) Lock Washer - 1/4" SS<br>(5) Nut - 1/4" UNC SS   | 1-RH, 1-LH |
| 6    | 1236-350  | Weldment - SS Feedgate  | 1          |
| 6    | 1236-350MS  | Weldment - MS Feedgate  | 1          |

## SWINGING ENDGATE & FEEDGATE ASSEMBLY

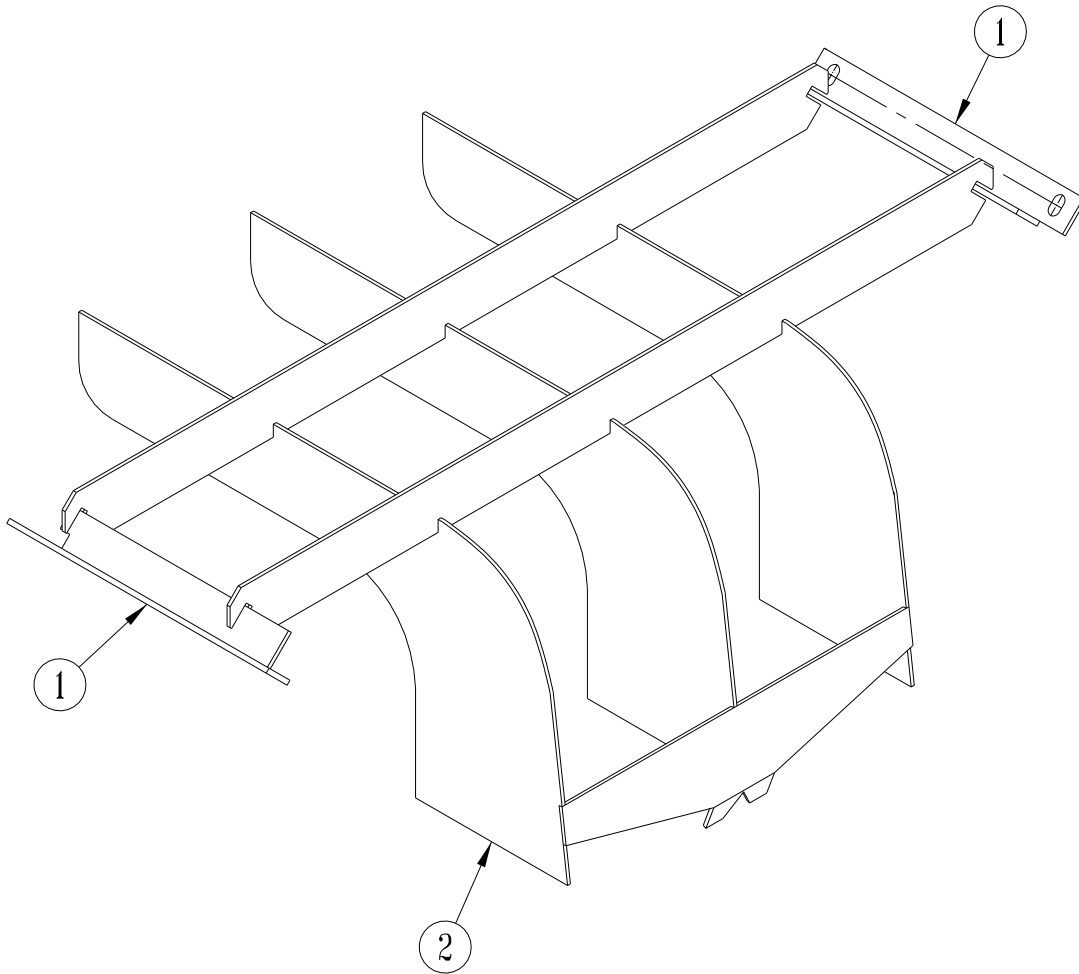


| ITEM | PART NO.    | DESCRIPTION  | QTY |
|------|-------------|--|-----|
| 1    | 1218-80     | Assembly - Jack  | 1   |
| 2    | 1218-81S    | Handle (Specify material)                                    | 1   |
| 3    | 1209-42     | Lock Washer - 3/8"   | 1   |
| 4    | 1200-2049   | Hex Head Cap Screw - 1/4" UNC x 1 1/2" SS                    | 2   |
| 5    | 1200-202    | Hex Head Capscrew - 1/4" UNC x 1" Lg. SS                     | 8   |
| 6    | 1218-86S LH | Feedgate Slide - LH (Specify material)                       | 1   |
| 7    | 1209-25S    | Flat Washer - 1/4" SS  | 6   |
| 8    | 1236-652    | Swinging Endgate Seal Strip Pinch Plate (Specify material)   | 2   |
| 9    | 1205-11     | Nut - 1/4" UNC SS  | 14  |
| 10   | 1218-86S RH | Feedgate Slide - RH (Specify material)                       | 1   |
| 11   | 1236-350S   | Weldment - Feedgate (Specify material & if it is reinforced) | 1   |
| 12   | 1209-22     | Lock Washer - 1/4" SS  | 14  |
| 13   | 1205-21     | Nut - 3/8" UNC   | 1   |
| 14   | 1205-501    | Lock Nut - 1/4" UNC SS                                       | 2   |
| 15   | 1200-416    | Hex Head Capscrew - 1/2" UNC x 4"                            | 1   |
| 16   | 1205-37     | Nut - 1/2" UNC   | 1   |
| 17   | 1236-651    | Weldment - Pin, (Specify material)                           | 2   |
| 18   | 1200-310    | Hex Head Capscrew - 3/8" UNC x 3" MS                         | 1   |
| 19   | 1209-62     | Lock Washer - 1/2"   | 1   |
| 20   | 1236-650    | Weldment - Swinging Endgate (Specify material)               | 1   |
| 21   | 1208-015    | Roll Pin   | 2   |
| 22   | 1200-212    | Hex Head Cap Screw - 1/4" UNC x 3" SS                        | 6   |
| 23   | 1218-85     | U-Joint  | 1   |
| 24   | 1236-653    | Swinging Endgate Seal Strip (Specify standard or high temp)  | 2   |

## SWINGING ENDGATE CATCH/RELEASE ASSEMBLY

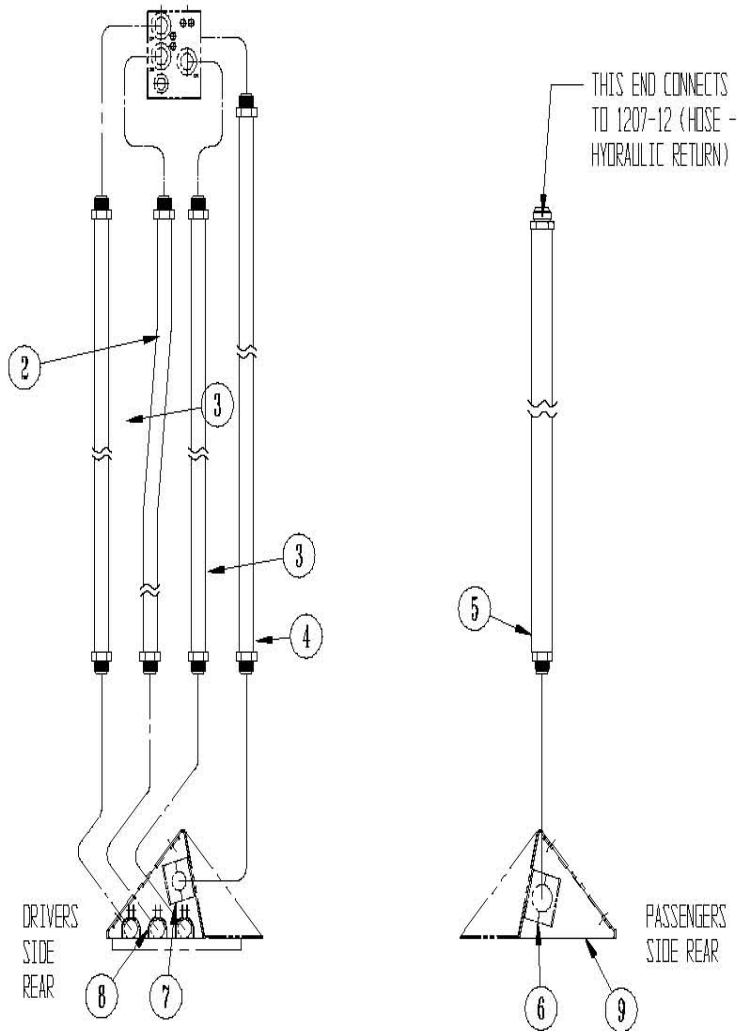


| ITEM | PART NO. | DESCRIPTION                            | QTY |
|------|----------|--|-----|
| 2    | 1205-47  | Lock Nut - 5/8" UNC                    | 2   |
| 3    | 1200-301 | Hex Head Cap Screw - 3/8" UNC x 1"     | 2   |
| 4    | 1236-354 | Linkage Guide Plate                    | 1   |
| 5    | 1200-248 | Flat Head Cap Screw - 5/16" UNC x 3/4" | 2   |
| 6    | 1208-04  | Yoke Kit                               | 5   |
| 7    | 1236-351 | Linkage Slide Surface                  | 2   |
| 8    | 1205-17  | Lock Nut - 5/16" UNC                   | 4   |
| 9    | 1225-05  | Adjusting Rod                          | 2   |
| 10   | 1205-10  | Lock Nut - 1/4" UNC                    | 2   |
| 11   | 1205-21  | Nut - 3/8" UNC                         | 2   |
| 12   | 1208-025 | Pin                                    | 2   |
| 13   | 1236-353 | Door Catch                             | 2   |
| 14   | 1205-52  | Nut - 5/8" UNF                         | 4   |
| 15   | 1209-70  | Flat Washer - 5/8" MS                  | 2   |
| 16   | 1200-205 | Hex Head Cap Screw - 1/4" UNC x 1 1/2" | 2   |
| 17   | 1205-51  | Nut - 5/8" UNC MS                      | 1   |
| 18   | 1236-352 | Linkage                                | 2   |
| 19   | 1209-96  | Machinery Washer - 1"                  | 24  |
| 20   | 1200-250 | Hex Head Cap Screw - 5/16" UNC x 3/4"  | 2   |
| 21   | 1222-02  | Air Brake Actuator                     | 1   |



**OPTIONAL HILLSIDE FLOW DIVIDER**

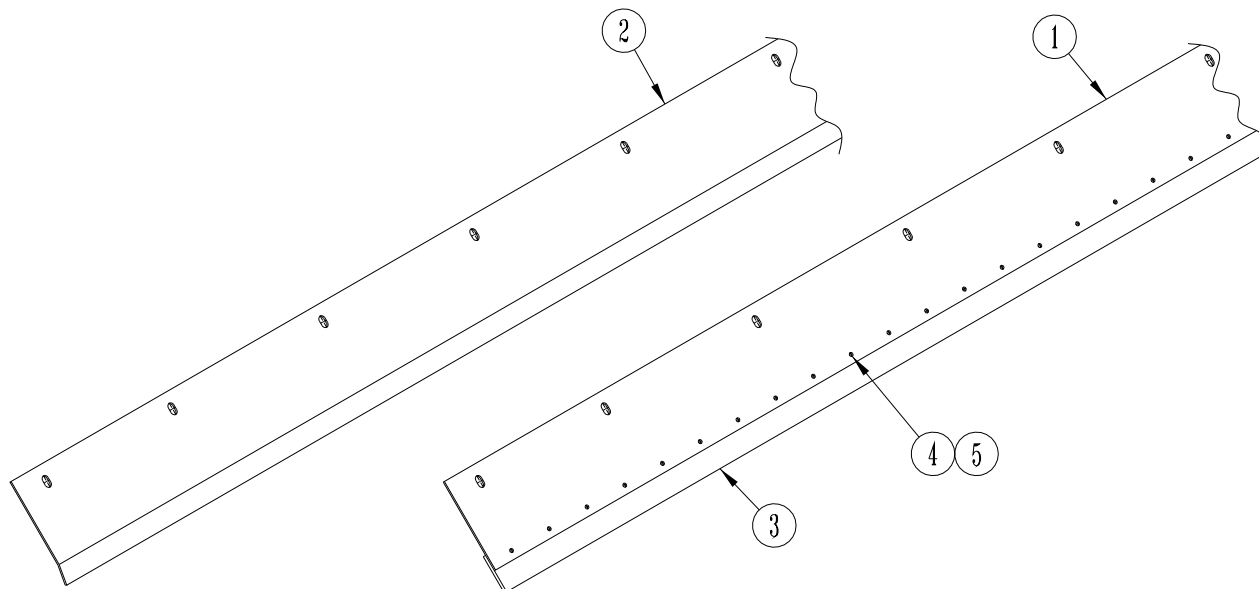
| ITEM | PART NO. | DESCRIPTION  | QTY.         |
|------|----------|--|--------------|
|      | 1236-451 | Assembly - Hillside Flow Divider   |              |
| 1    | 1234-452 | Bracket - Mounting<br>Requires:<br>1200-302SS (2) Carriage Bolt - 3/8" UNC x 1" S/S<br>1209-41 (2) Flat Washer - 3/8" S/S<br>1209-43 (2) Lock Washer - 3/8" S/S<br>1205-27 (2) Nut - 3/8" UNC S/S<br>Per Bracket | 1 -RH, 1 -LH |
| 2    | 1236-453 | Weldment - Hillside Flow Divider   | 1            |



**HYDRAULIC PIPES**

**FORCE UNLTD.                      SPREADER \* CONVEYORS**

| ITEM | PART NO.  | DESCRIPTION  | QTY.                                   |
|------|---|--|--|
| 2    | 1234-532<br>1234-533<br>1234-534<br>1234-535<br>1236-536<br>1236-537<br>1236-538<br>1236-539<br>1236-530<br>1236-531<br>1236-532<br>1236-533<br>1236-534<br>1236-5346 | Hydraulic Pipe -12' Box<br>Hydraulic Pipe -13' Box<br>Hydraulic Pipe -14' Box<br>Hydraulic Pipe -15' Box<br>Hydraulic Pipe -16' Box<br>Hydraulic Pipe -17' Box<br>Hydraulic Pipe -18' Box<br>Hydraulic Pipe -19' Box<br>Hydraulic Pipe -20' Box<br>Hydraulic Pipe -21' Box<br>Hydraulic Pipe -22' Box<br>Hydraulic Pipe -23' Box<br>Hydraulic Pipe -24' Box<br>Hydraulic Pipe -26' Box | 1                                      |
| 3    | 1234-522<br>1234-523<br>1234-524<br>1234-525<br>1236-526<br>1236-527<br>1236-528<br>1236-529<br>1236-520<br>1236-521<br>1236-522<br>1236-523<br>1236-524<br>1236-5246 | Hydraulic Pipe -12' Box<br>Hydraulic Pipe -13' Box<br>Hydraulic Pipe -14' Box<br>Hydraulic Pipe -15' Box<br>Hydraulic Pipe -16' Box<br>Hydraulic Pipe -17' Box<br>Hydraulic Pipe -18' Box<br>Hydraulic Pipe -19' Box<br>Hydraulic Pipe -20' Box<br>Hydraulic Pipe -21' Box<br>Hydraulic Pipe -22' Box<br>Hydraulic Pipe -23' Box<br>Hydraulic Pipe -24' Box<br>Hydraulic Pipe -26' Box | 2                                      |
| 4    | 1234-552<br>1234-553<br>1234-554<br>1234-555<br>1236-556<br>1236-557<br>1236-558<br>1236-559<br>1236-550<br>1236-551<br>1236-552<br>1236-553<br>1236-554<br>1236-5546 | Hydraulic Pipe -12' Box<br>Hydraulic Pipe -13' Box<br>Hydraulic Pipe -14' Box<br>Hydraulic Pipe -15' Box<br>Hydraulic Pipe -16' Box<br>Hydraulic Pipe -17' Box<br>Hydraulic Pipe -18' Box<br>Hydraulic Pipe -19' Box<br>Hydraulic Pipe -20' Box<br>Hydraulic Pipe -21' Box<br>Hydraulic Pipe -22' Box<br>Hydraulic Pipe -23' Box<br>Hydraulic Pipe -24' Box<br>Hydraulic Pipe -26' Box | 1                                      |
| 5    | 1234-542<br>1234-543<br>1234-544<br>1234-545<br>1236-546<br>1236-547<br>1236-548<br>1236-549<br>1236-540<br>1236-541<br>1236-542<br>1236-543<br>1236-544<br>1236-5446 | Hydraulic Pipe -12' Box<br>Hydraulic Pipe -13' Box<br>Hydraulic Pipe -14' Box<br>Hydraulic Pipe -15' Box<br>Hydraulic Pipe -16' Box<br>Hydraulic Pipe -17' Box<br>Hydraulic Pipe -18' Box<br>Hydraulic Pipe -19' Box<br>Hydraulic Pipe -20' Box<br>Hydraulic Pipe -21' Box<br>Hydraulic Pipe -22' Box<br>Hydraulic Pipe -23' Box<br>Hydraulic Pipe -24' Box<br>Hydraulic Pipe -26' Box | 1                                      |
| 6    | 1208-93   | Clamp - Pipe   | 2 (12'-14' Boxes)<br>3 (16'-26' Boxes) |
| 7    | 1208-92   | Clamp Pipe   | 1 (12'-14' Boxes)<br>2 (16'-26' Boxes) |
| 8    | 1208-96   | Clamp - Pipe   | 3                                      |
| 9    | 1234-559<br><br>1200-3011<br>1205-27<br>1209-43   | Cap-Hydraulic Line Cover<br>Requires:<br>(2) Hexhead Capscrew - 3/8"UNC 1"SS<br>(2) Hex Nut - 3/8" UNC SS<br>(2) Lock Washer - 3/8" SS<br>Per Cover  | 1-RH, 1-LH                             |

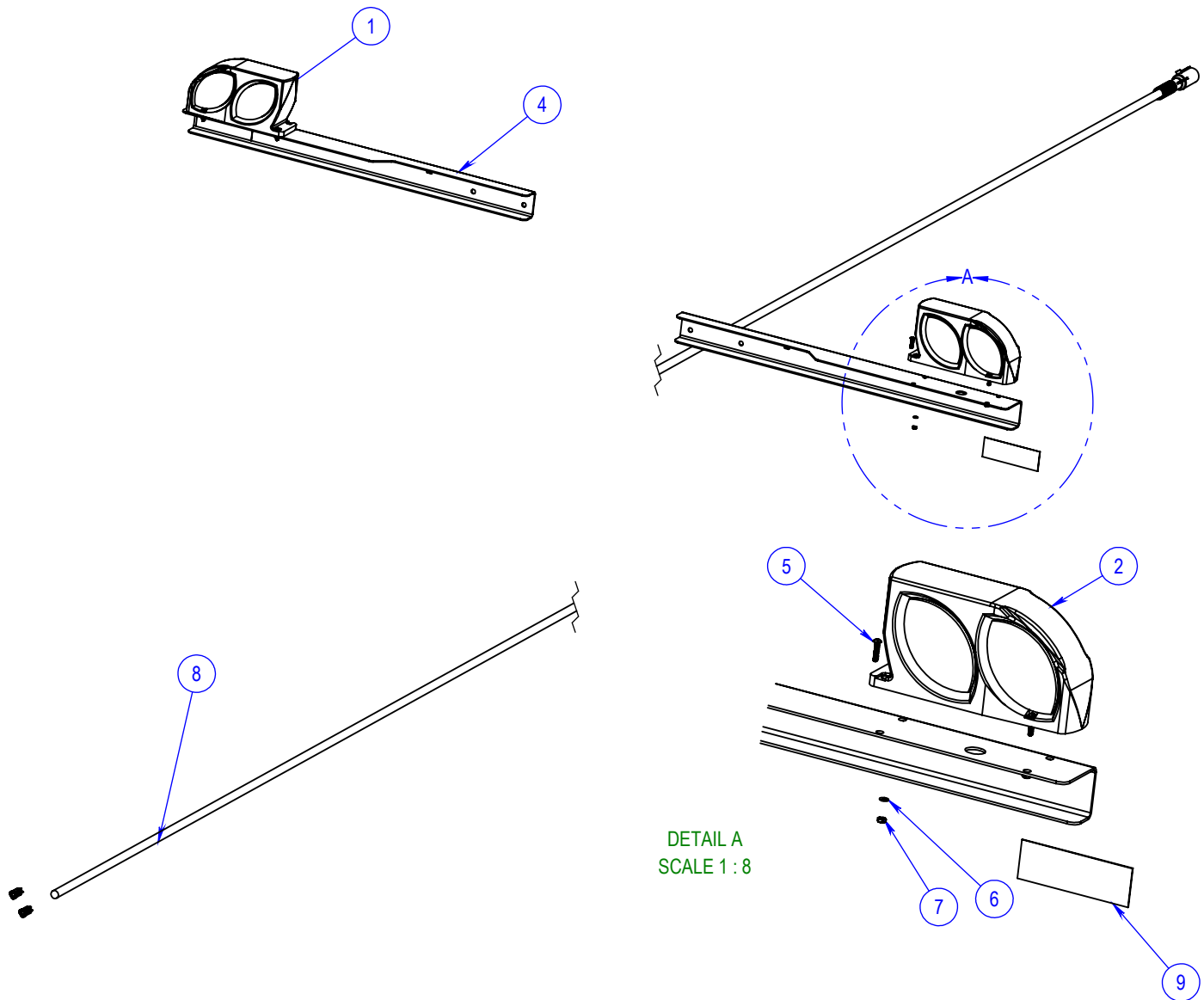


## **CHAIN SHIELDS**

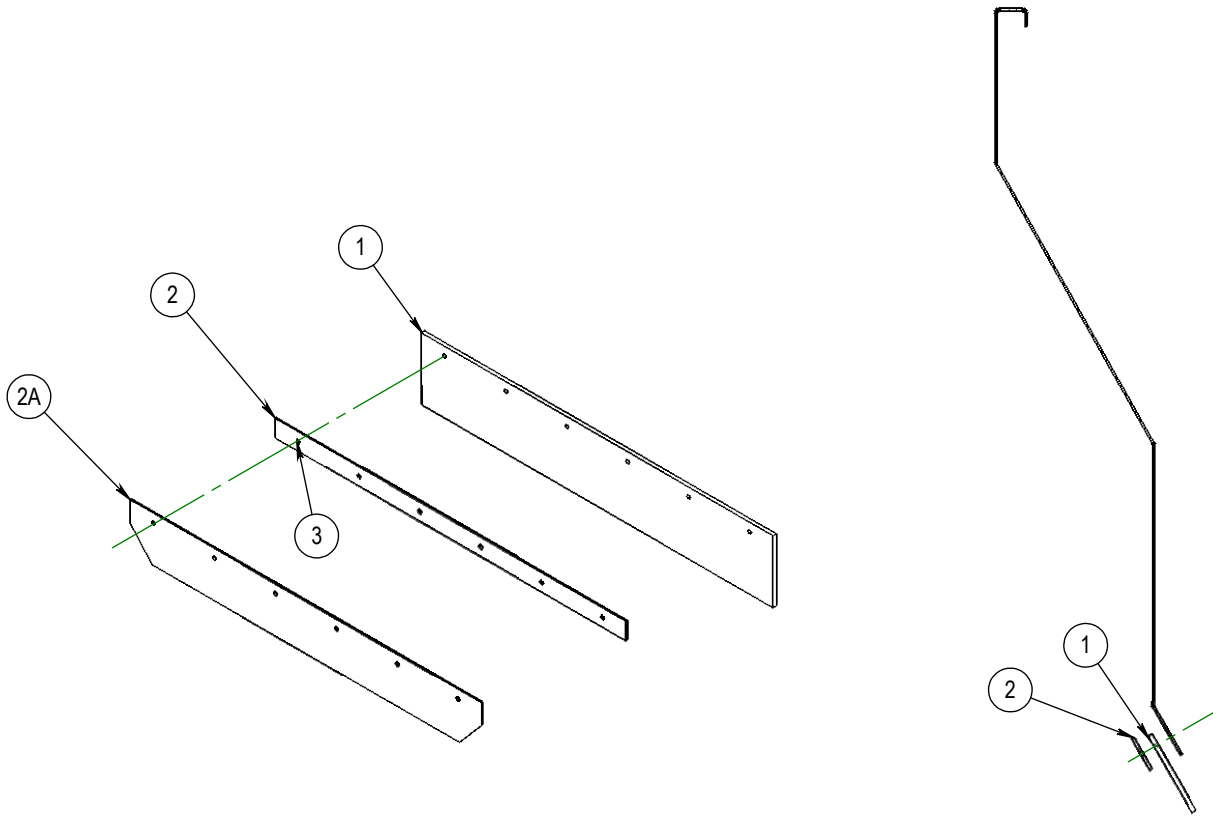
| ITEM | MS PART NO. | SS PART NO.               | DESCRIPTION   | QTY        |          |
|------|-------------|---------------------------|---|------------|----------|
| 1    | 1234-912MS  | 1234-912                  | Weldment - Chain Shield #4 BOC - 12' Box            | 1-RH, 1-LH |          |
|      | 1234-913MS  | 1234-913                  | Weldment - Chain Shield #4 BOC - 13' Box            |            |          |
|      | 1234-914MS  | 1234-914                  | Weldment - Chain Shield #4 BOC - 14' Box            |            |          |
|      | 1236-916MS  | 1236-916                  | Weldment - Chain Shield #4 BOC - 16' Box            |            |          |
|      | 1236-917MS  | 1236-917                  | Weldment - Chain Shield #4 BOC - 17' Box            |            |          |
|      | 1236-918MS  | 1236-918                  | Weldment - Chain Shield #4 BOC - 18' Box            |            |          |
|      | 1236-920MS  | 1236-920                  | Weldment - Chain Shield #4 BOC - 20' Box            |            |          |
|      | 1236-921MS  | 1236-921                  | Weldment - Chain Shield #4 BOC - 21' Box            |            |          |
|      | 1236-922MS  | 1236-922                  | Weldment - Chain Shield #4 BOC - 22' Box            |            |          |
|      | 1236-923MS  | 1236-923                  | Weldment - Chain Shield #4 BOC - 23' Box            |            |          |
|      | 1236-924MS  | 1236-924                  | Weldment - Chain Shield #4 BOC - 24' Box            |            |          |
|      | 1236-926MS  | 1236-926                  | Weldment - Chain Shield #4 BOC - 26' Box            |            |          |
|      |             |                           | Requires:   |            |          |
|      |             |                           | 1200-302SS Carriage Bolt - 3/8" UNC x 1" SS         |            | As Req'd |
|      |             |                           | 1209-43 Lock Washer - 3/8" SS                       |            |          |
|      |             | 1205-27 Nut - 3/8" UNC SS |   |            |          |
| 2    | 1234-932MS  | 1234-932                  | Weldment - Chain Shield #2 Chain only - 12' Box     | 1-RH, 1-LH |          |
|      | 1234-933MS  | 1234-933                  | Weldment - Chain Shield #2 Chain only - 13' Box     |            |          |
|      | 1234-934MS  | 1234-934                  | Weldment - Chain Shield #2 Chain only - 14' Box     |            |          |
|      | 1236-936MS  | 1236-936                  | Weldment - Chain Shield #2 Chain only - 16' Box     |            |          |
|      | 1236-937MS  | 1236-937                  | Weldment - Chain Shield #2 Chain only - 17' Box     |            |          |
|      | 1236-938MS  | 1236-938                  | Weldment - Chain Shield #2 Chain only - 18' Box     |            |          |
|      | 1236-940MS  | 1236-940                  | Weldment - Chain Shield #2 Chain only - 20' Box     |            |          |
|      | 1236-941MS  | 1236-941                  | Weldment - Chain Shield #2 Chain only - 21' Box     |            |          |
|      | 1236-942MS  | 1236-942                  | Weldment - Chain Shield #2 Chain only - 22' Box     |            |          |
|      | 1236-943MS  | 1236-943                  | Weldment - Chain Shield #2 Chain only - 23' Box     |            |          |
|      | 1236-944MS  | 1236-944                  | Weldment - Chain Shield #2 Chain only - 24' Box     |            |          |
|      | 1236-946MS  | 1236-946                  | Weldment - Chain Shield #2 Chain only - 26' Box     |            |          |
|      |             |                           | Requires:   |            |          |
|      |             |                           | 1200-302SS Carriage Bolt - 3/8" UNC x 1" SS         |            | As Req'd |
|      |             |                           | 1209-43 Lock Washer - 3/8" SS                       |            |          |
|      |             | 1205-27 Nut - 3/8" UNC SS |   |            |          |
| 3    | 1000-37     | 1000-37                   | Seal Strips - STD (Specify Box Length)              | 2          |          |
|      | 1000-38     | 1000-38                   | Seal Strips - High Temp. (Specify Box Length)       | 2          |          |
| 4    | 1205-86     | 1205-86                   | T-Nut (Specify Box Length)                          | As Req'd   |          |
| 5    | 1200-086    | 1200-086                  | Button Head Socket Cap Screw - (Specify Box Length) | As Req'd   |          |



## TRAILER TAIL LIGHTS ASSY

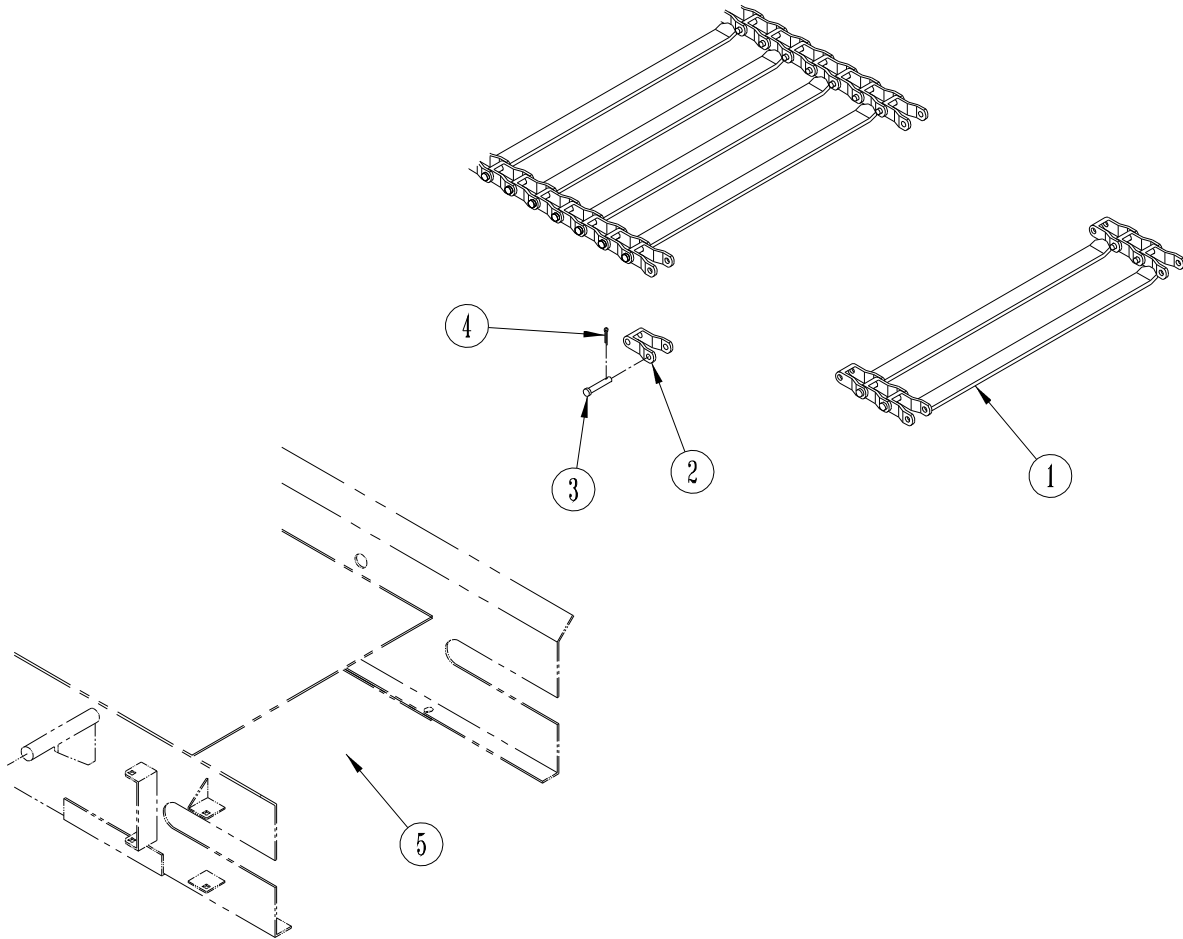


| ITEM NO. | QTY. | PART NO.      | DESCRIPTION                           |
|----------|------|---------------|---------------------------------------|
| 1        | 1    | 1214-273 R    | Tail light, LED - RH Red / Dual Amber |
| 2        | 1    | 1214-273 L    | Tail light, LED - LH Red / Dual Amber |
| 3        | 1    | 1238-80-521   | TRAILER TAIL LIGHT BRACKET            |
| 4        | 1    | 1238-80-521-L | TRAILER TAIL LIGHT BRACKET            |
| 5        | 8    | 1200-021      | SCREW, FLANGE RND HEAD, 10 - 32 X 1"  |
| 6        | 8    | 1209-19       | FLATWASHER, 10-32                     |
| 7        | 8    | 1205-256      | LOCKNUT, TOP 10-32 SS                 |
| 8        | 1    | 1223-754      | TRAILER TAIL LIGHT EXTENSION CABLE    |
| 9        | 2    | 1238-80-523   | TAPE, RED REFLECTOR                   |



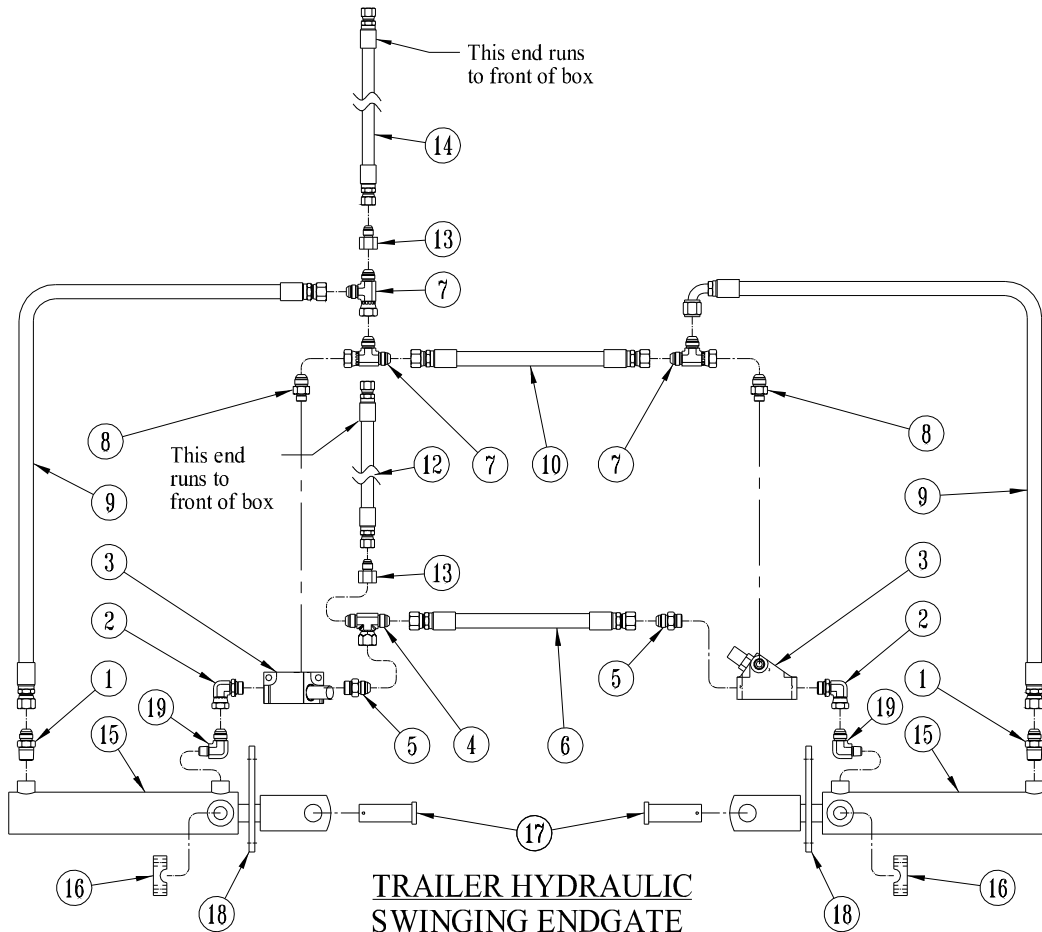
## **FRONT BELT SEALER**

| <b><u>ITEM</u></b> | <b><u>PART NO.</u></b> | <b><u>DESCRIPTION</u></b>                  | <b><u>QTY</u></b> |
|--------------------|------------------------|--|-------------------|
| 1                  | 70-053                 | Front Belt Sealer Strip                    | 1                 |
|                    | 70-053-1               | Front Belt Sealer Strip - High Temp        |                   |
|                    | 70-053-2               | Front Belt Sealer Strip - Straight Chain   |                   |
| 2                  | 70-089                 | Back Plate For Units w/Belt Over Chain     | 1                 |
| 2A                 | 70-089-1               | Back Plate For Units w/Straight Chain Only | 1                 |
| 3                  | 1200-202               | (6) Hex Head Cap Screw - 1/4" UNC x 1" S/S |                   |
|                    | 1209-22                | (6) Lock Washer - 1/4" S/S                 |                   |
|                    | 1205-11                | (6) Nut - 1/4" UNC S/S                     |                   |



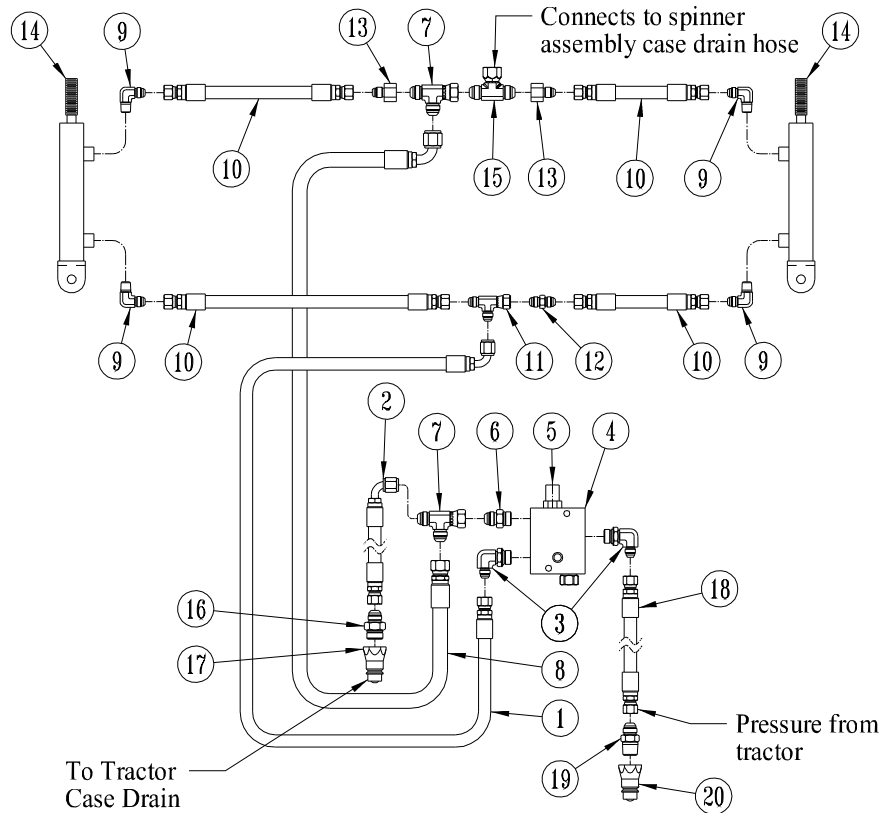
**STRAIGHT CHAIN**

| ITEM | PART NO.   | DESCRIPTION   | QTY.     |
|------|------------|---|----------|
| 1    | 1236-907   | Weldment - Crossbar   | As Req'd |
| 2    | 1234-901   | Link - Pintle Chain   | As Req'd |
| 3    | 1234-902   | Pin - Pintle Chain  | As Req'd |
| 4    | 1234-903   | Cotter Pin  | As Req'd |
|      | 1236-9XX   | Assembly - #2 Straight Chain - Bar every other link (Specify Box Length)                  | As Req'd |
|      | 1236-9XX   | Assembly - #3 Straight Chain - Bar every link (Specify Box Length)                        | As Req'd |
| 5    | 1236-904AR | Conveyor Bed Extension Abbrasive resistant mat'l (Req'd on all Straight Chain Units Only) | 1        |
| 5    | 1236-904SS | Conveyor Bed Extension Stainless Steel mat'l (Req'd on all Straight Chain Units Only)     | 1        |



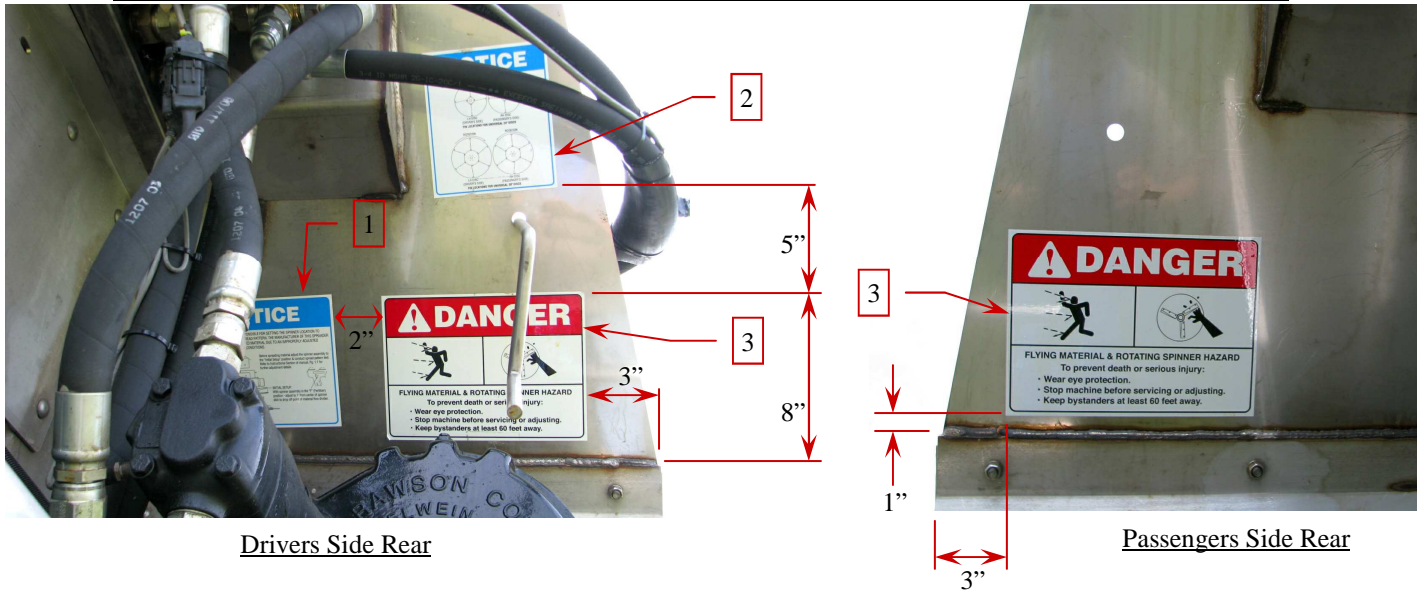
**TRAILER HYDRAULIC SWINGING ENDGATE**

| ITEM | PART NO.   | DESCRIPTION   | QTY |
|------|------------|---|-----|
| 1    | 1202-1001  | Adapter - Straight                                      | 2   |
| 2    | 1202-2094  | Adapter - Elbow   | 2   |
| 3    | 1211-98    | Valve Body  | 2   |
| 4    | 1202-285   | Adapter - Tee   | 1   |
| 5    | 1202-1076  | Adapter - Straight                                      | 2   |
| 6    | 1207-703   | Hose Assembly   | 1   |
| 7    | 1202-3014  | Adapter - Tee   | 3   |
| 8    | 1202-10750 | Adapter - Straight                                      | 2   |
| 9    | 1207-701   | Hose Assembly   | 1   |
| 10   | 1207-702   | Hose Assembly   | 1   |
| 11   |            |   |     |
| 12   | 1207-704   | Hose Assembly - Cylinder Extend                         | 1   |
| 13   | 1202-1029  | Adapter - Straight                                      | 2   |
| 14   | 1207-705   | Hose Assembly - Cylinder Retract                        | 1   |
| 15   | 1100-150   | Hyd. Cylinder   | 2   |
| 16   | 1100-150C  | Clamp - Trunnion  | 4   |
|      | 1200-303SS | Requires:<br>(2) Hex Head Capscrew - 3/8 UNC x 1-1/4 SS |     |
|      | 1209-43    | (2) Lock Washer - 3/8" SS                               |     |
| 17   | 1236-651SS | Pin - Hyd. Cylinder                                     | 2   |
|      | 1200-2049  | Requires:<br>(1) Hex Head Capscrew - 1/4 UNC x 1-1/2 SS |     |
|      | 1205-501   | (1) Lock Nut - 1/4 UNC SS                               |     |
|      |            | Per Pin   |     |
| 18   | 1100-150S  | Seal Strip - Cylinder Rod                               | 2   |
|      | 1200-202   | Requires:<br>(3) Hex Head Capscrew - 1/4" UNC x 1" SS   |     |
|      | 1209-25S   | (3) Flat Washer - 1/4" SS                               |     |
|      | 1209-22    | (3) Lock Washer - 1/4" SS                               |     |
|      | 1205-11    | (3) Nut - 1/4" UNC SS                                   |     |
|      |            | Per Seal Strip  |     |
| 19   | 1202-1041  | Adapter - Elbow   | 2   |



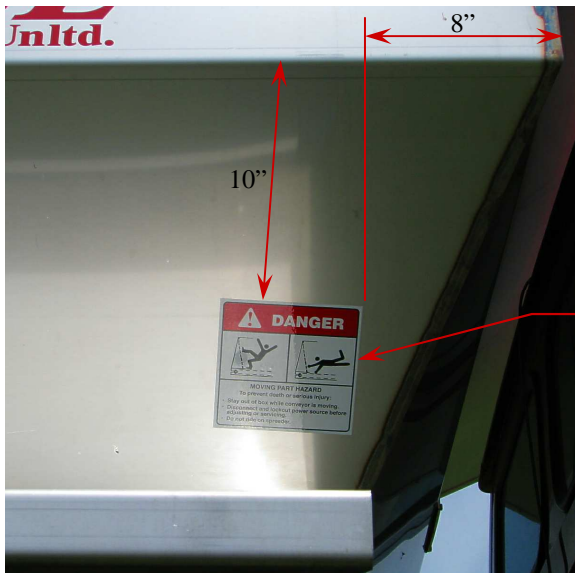
## TRAILER HYDRAULIC BRAKES

| ITEM | PART NO.  | DESCRIPTION   | QTY |
|------|-----------|---|-----|
| 1    | 1207-715  | Hose Assembly   | 1   |
| 2    | 1207-716  | Hose Assembly   | 1   |
| 3    | 1202-2020 | Adapter - Elbow   | 2   |
| 4    | 1222-210  | Valve Body<br>Requires:<br>1200-257 (2) Hex Head Capscrew - 5/16 UNC x 2-1/2<br>1209-31 (2) Lock Washer - 5/16<br>1205-13 (2) Nut - 5/16 UNC  | 1   |
| 5    | 1222-21   | Cartridge - Valve   | 1   |
| 6    | 1202-1076 | Adapter - Straight  | 1   |
| 7    | 1202-3014 | Adapter - Tee   | 2   |
| 8    | 1207-717  | Hose Assembly   | 1   |
| 9    | 1202-1044 | Adapter - Elbow   | 4   |
| 10   | 1207-718  | Hose Assembly   | 4   |
| 11   | 1202-3012 | Adapter - Tee   | 1   |
| 12   | 1202-00   | Adapter - Straight  | 1   |
| 13   | 1202-1029 | Adapter - Straight  | 2   |
| 14   | 1100-10S  | Hydraulic Cylinder<br>Requires:<br>1205-52 (1) Nut - 5/8 UNF<br>1200-325 (1) Hex Head Capscrew - 7/16 UNC x 2<br>1205-29 (2) Nut - 7/16 UNC<br>1209-50 (1) Flat Washer - 7/16<br>1208-034 (2) Pin<br>Per Cylinder | 2   |
| 15   | 1202-285  | Adapter - Tee   | 1   |
| 16   | 1202-1076 | Adapter - Straight  | 1   |
| 17   | 1202-8433 | Quick Coupler   | 1   |
| 18   | 1207-720  | Hose Assembly   | 1   |
| 19   | 1202-1073 | Adapter - Straight  | 1   |
| 20   | 1202-8432 | Quick Coupler   | 1   |



Drivers Side Rear

Passengers Side Rear



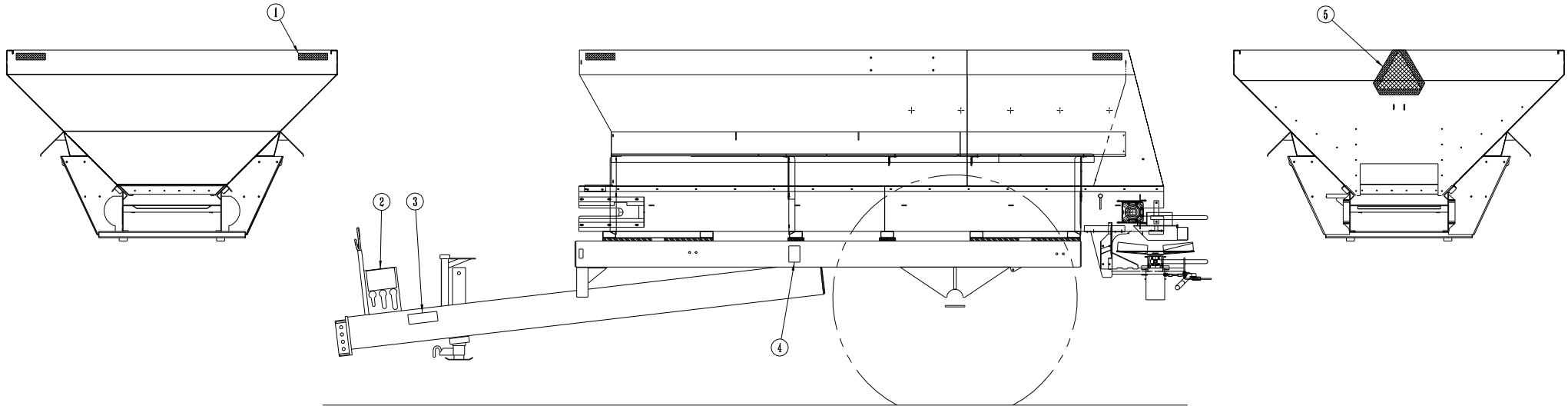
Passengers Side Front



Drivers Side Front

## Safety Decals

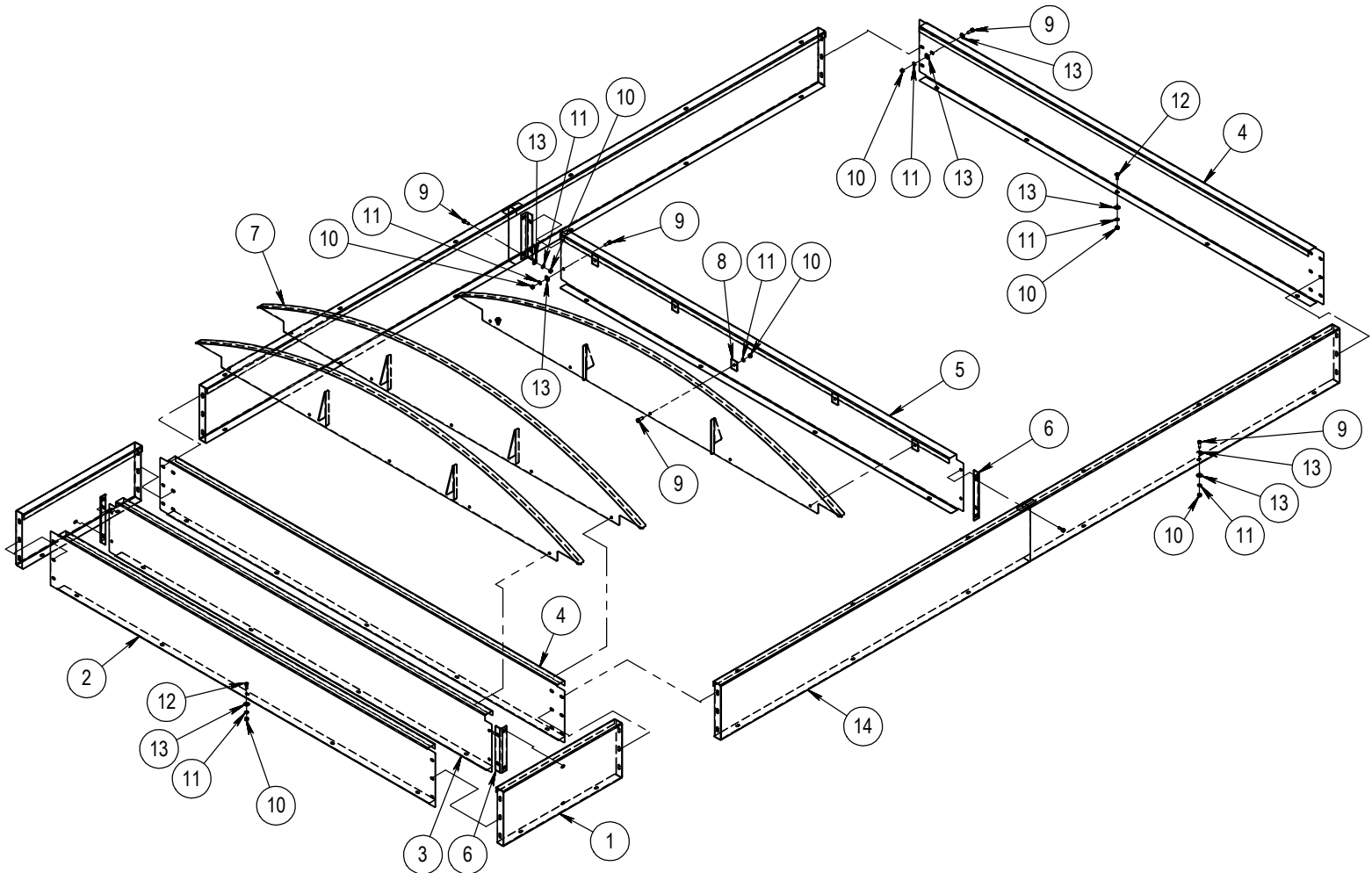
| <u>ITEM</u> | <u>PART NO.</u> | <u>DESCRIPTION</u>                        | <u>QTY.</u> |
|-------------|-----------------|---|-------------|
| 1           | 1234-050        | Decal - Spinner Disc Location             | 1           |
| 2           | 1234-051        | Decal - Fin Location on Universal Disc    | 1           |
| 3           | 1234-052        | Decal - Flying Material                   | 2           |
| 4           | 1234-053        | Decal - To Avoid Injury or Machine Damage | 1           |
| 5           | 1234-054        | Decal - Moving Part Hazard                | 2           |



**TRAILER DECAL LOCATIONS**

| ITEM NO. | PART NO. | DESCRIPTION                               | QTY. |
|----------|----------|---|------|
| 1        | 1238-51  | Yellow Reflective Tape                    | 6    |
| 2        | 1238-48  | Decal - Notice, Hose Marking              | 1    |
| 3        | 1238-49  | Decal - Warning, Rising or Falling Tongue | 1    |
| 4        | 1238-47  | Decal - Notice, 10 Bolt Torque Spec       | 1    |
| 5        | 1238-50  | Decal - Slow Moving Vehicle               | 1    |

## OPTIONAL 12" H SS BOX EXTENSIONS FOR 102" W BOX



| ITEM NO. | PartNo     | DESCRIPTION  | QTY.     |
|----------|------------|--|----------|
| 1        | 1239-15205 | 12" TRI-FORCE BIN EXTENSION SIDE PANEL WELDMENT                | 2        |
| 2        | 1239-15305 | 12" HIGH TRI-FORCE REAR EXTENSION                              | 1        |
| 3        | 1239-15405 | 12" HIGH TRI-FORCE BIN CENTER EXTENSION                        | 1        |
| 4        | 1234-148   | 12" HIGH FRONT & REAR EXTENSIONS                               | 2        |
| 5        | 1234-1520  | 12" HIGH CENTER EXTENSION                                      | 1        |
| 6        | 1234-1530  | BRACKET FOR 12" HIGH EXTENSIONS                                | As Req'd |
| 7        | 1237-18W   | DF/TF/QF Divider Extension Weldment for use with 12" High Tarp | As Req'd |
| 8        | 1234-942   | BOARD EXTENSION CLIP   | As Req'd |
| 9        | 1200-3011  | Hex Head Capscrew - 3/8" UNC x 1" SS                           | As Req'd |
| 10       | 1205-27    | Nut - 3/8" UNC SS  | As Req'd |
| 11       | 1209-43    | Lock Washer - 3/8" SS  | As Req'd |
| 12       | 1200-302SS | Carriage Bolt - 3/8" UNC x 1" SS                               | As Req'd |
| 13       | 1209-41    | Flat Washer - 3/8" SS  | As Req'd |
| 14       | 1234-XXX   | 12" HIGH SIDE BOX EXTENSION (SPECIFY BOX LENGTH)               | 2        |